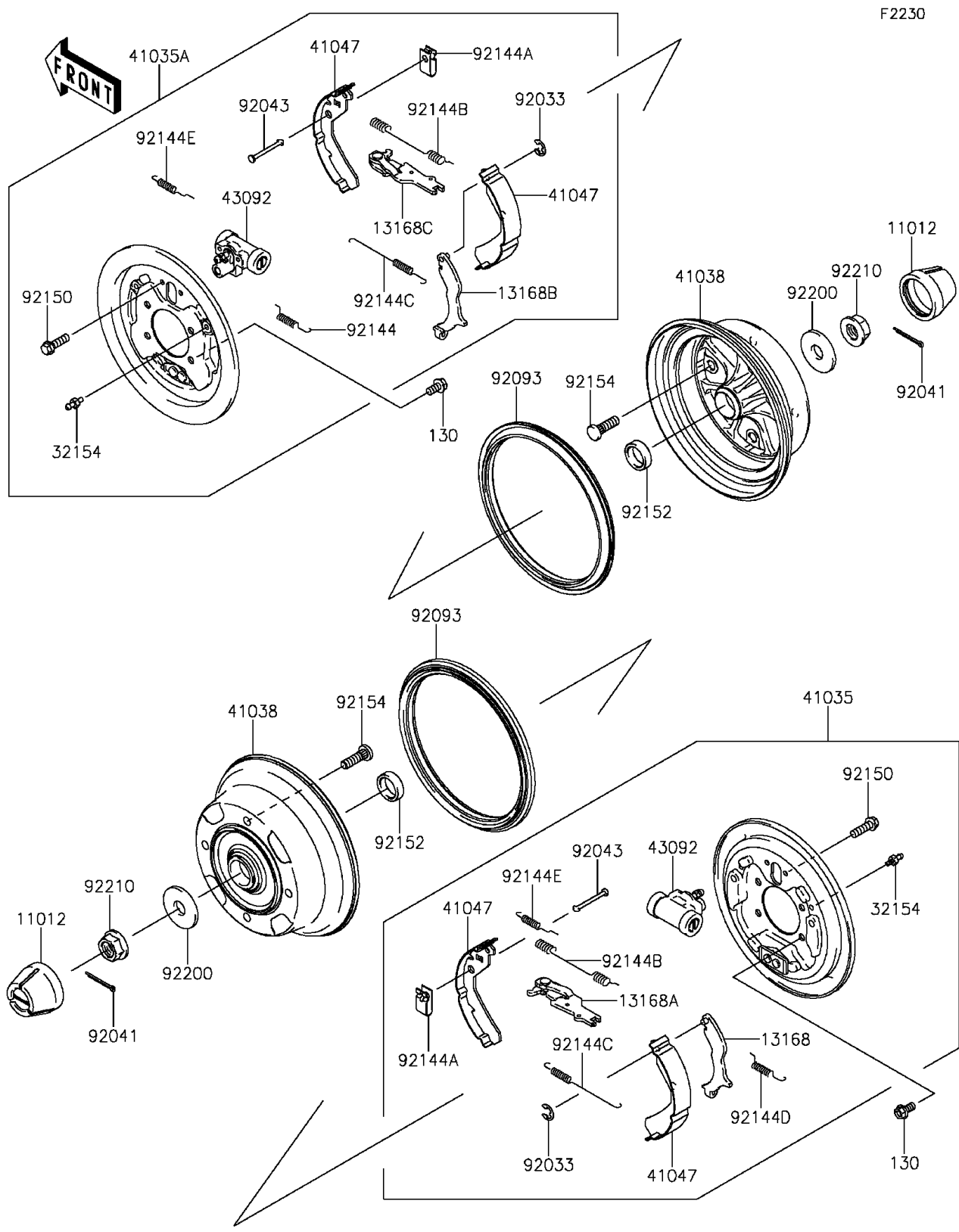


2015 Mule™ 610 4x4 XC PARTS DIAGRAM

Front Hubs/Brakes



2015 Mule™ 610 4x4 XC PARTS LIST

Front Hubs/Brakes

| ITEM NAME | PART NUMBER | QUANTITY |
|---------------------------------------|-------------|----------|
| CAP,WHEEL (Ref # 11012) | 11012-1969 | 2 |
| LEVER,BRAKE,LH (Ref # 13168) | 13168-0065 | 1 |
| LEVER,BRAKE,LH (Ref # 13168A) | 13168-0066 | 1 |
| LEVER,BRAKE,RH (Ref # 13168B) | 13168-0067 | 1 |
| LEVER,BRAKE,RH (Ref # 13168C) | 13168-0068 | 1 |
| PIPE (Ref # 32154) | 32154-0335 | 2 |
| PANEL-ASSY-BRAKE,FR,LH (Ref # 41035) | 41035-0057 | 1 |
| PANEL-ASSY-BRAKE,FR,RH (Ref # 41035A) | 41035-0059 | 1 |
| DRUM,FRONT BRAKE (Ref # 41038) | 41038-0013 | 2 |
| SHOE-ASSY-BRAKE (Ref # 41047) | 41047-0001 | 4 |
| CYLINDER,BRAKE (Ref # 43092) | 43092-0002 | 2 |
| RING-SNAP (Ref # 92033) | 92033-1279 | 2 |
| COTTER,4.0X35 (Ref # 92041) | 92041-1053 | 2 |
| PIN,SHOE HOLD (Ref # 92043) | 92043-1460 | 4 |
| SEAL,BS184.8X13.5-1 (Ref # 92093) | 92093-0031 | 2 |
| SPRING,RH (Ref # 92144) | 92144-1608 | 1 |
| SPRING,SHOE HOLD (Ref # 92144A) | 92144-1609 | 4 |
| SPRING,RETURN,UPP (Ref # 92144B) | 92144-1612 | 2 |
| SPRING,RETURN,LWR (Ref # 92144C) | 92144-1613 | 2 |
| SPRING,LH (Ref # 92144D) | 92144-1614 | 1 |
| SPRING (Ref # 92144E) | 92144-1615 | 2 |
| BOLT,FLANGED,6X10 (Ref # 92150) | 92150-1664 | 4 |
| COLLAR,25X34X10 (Ref # 92152) | 92152-0164 | 2 |
| BOLT,10X34.6 (Ref # 92154) | 92154-1482 | 8 |
| WASHER,18.5X52X4.5 (Ref # 92200) | 92200-1474 | 2 |
| NUT,FLANGED,18MM (Ref # 92210) | 92210-0132 | 2 |
| BOLT-FLANGED,8X16 (Ref # 130) | 130CA0816 | 8 |