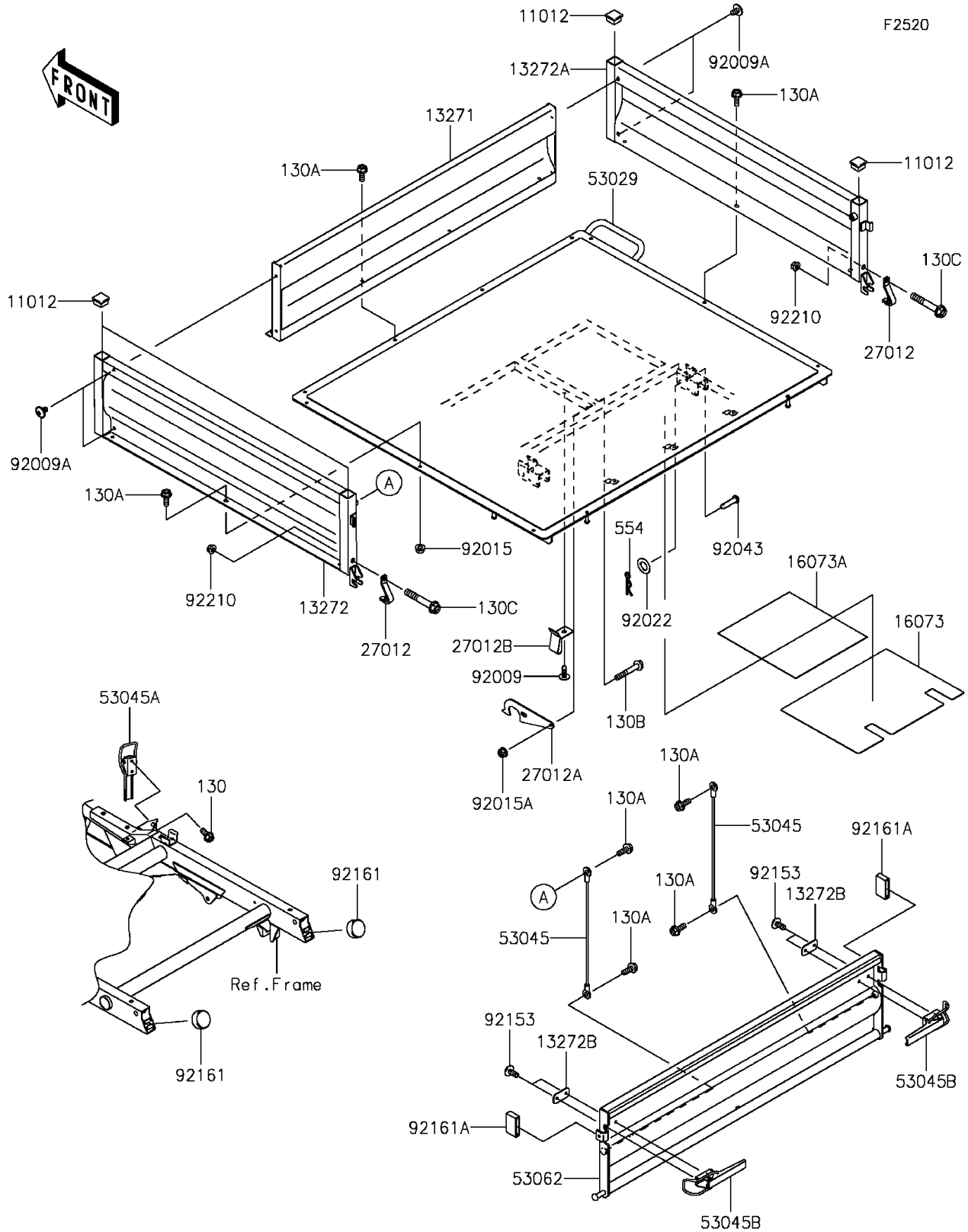


2015 Mule™ 610 4x4 XC PARTS DIAGRAM

Carrier(s)



2015 Mule™ 610 4x4 XC PARTS LIST

Carrier(s)

ITEM NAME	PART NUMBER	QUANTITY
CAP (Ref # 11012)	11012-1784	4
PLATE,CARRIER,SIDE,FR,BLACK (Ref # 13271)	13271-0394-10	1
PLATE,LH,BLACK (Ref # 13272)	13272-1134-10	1
PLATE,RH,BLACK (Ref # 13272A)	13272-1135-10	1
PLATE (Ref # 13272B)	13272-7516	2
INSULATOR,CARRIER (Ref # 16073)	16073-0040	1
INSULATOR (Ref # 16073A)	16073-7501	1
HOOK,TAIL GATE (Ref # 27012)	27012-0022	2
HOOK (Ref # 27012A)	27012-0044	1
HOOK,CARRIER (Ref # 27012B)	27012-1445	1
CARRIER,BLACK (Ref # 53029)	53029-0088-10	1
HOOK-ASSY,TAIL GATE (Ref # 53045)	53045-0006	2
HOOK-ASSY (Ref # 53045A)	53045-1063	1
HOOK-ASSY (Ref # 53045B)	53045-7503	2
GATE-TAIL,BLACK (Ref # 53062)	53062-0303-10	1
SCREW,TAPPING,6X16 (Ref # 92009)	92009-1166	1
SCREW,6X10 (Ref # 92009A)	92009-1661	4
NUT,FLANGED,6MM,BLACK (Ref # 92015)	92015-1233	10
NUT,LOCK,FLANGED,6MM (Ref # 92015A)	92015-1675	1
WASHER,12.5X22X1.2 (Ref # 92022)	92022-072	2
PIN,12X54 (Ref # 92043)	92043-1451	2
BOLT,SOCKET,6X14 (Ref # 92153)	92153-1361	4
DAMPER,SEAT (Ref # 92161)	92161-1065	2
DAMPER (Ref # 92161A)	92161-7519	2
NUT,FLANGED,8MM (Ref # 92210)	92210-0555	2
BOLT-FLANGED,6X14 (Ref # 130)	130BA0614	2
BOLT-FLANGED,6X16 (Ref # 130A)	130BB0616	14
BOLT-FLANGED,6X40 (Ref # 130B)	130BB0640	1
BOLT-FLANGED,8X50 (Ref # 130C)	130BB0850	2

2015 Mule™ 610 4x4 XC PARTS LIST

Carrier(s)

ITEM NAME	PART NUMBER	QUANTITY
PIN-SNAP,12MM (Ref # 554)	554DA1200	2