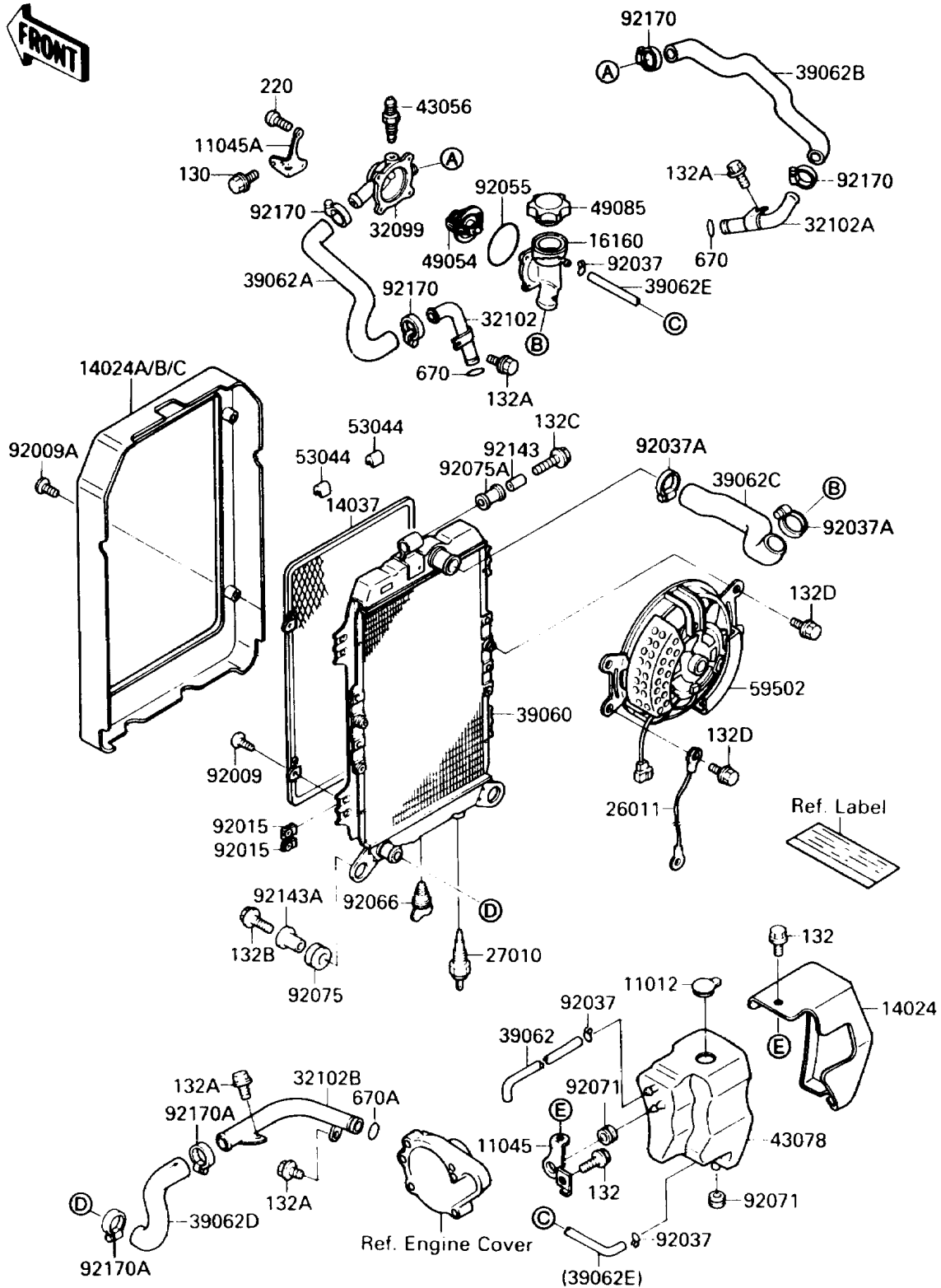


1988 Vulcan 88 PARTS DIAGRAM

Radiator

E3032



1988 Vulcan 88 PARTS LIST

Radiator

| ITEM NAME | PART NUMBER | QUANTITY |
|---|---------------|----------|
| CAP (Ref # 11012) | 11012-1585 | 1 |
| BRACKET,RESERVOIR (Ref # 11045) | 11045-1436 | 1 |
| BRACKET,THERMOSTAT (Ref # 11045A) | 11045-1437 | 1 |
| COVER,RESERVOIR (Ref # 14024) | 14024-1406 | 1 |
| COVER,RADIATOR,EBONY (Ref # 14024B) | 14024-1429-H8 | 1 |
| COVER,RADIATOR,L.C.RED (Ref # 14024C) | 14024-1429-L2 | 1 |
| SCREEN (Ref # 14037) | 14037-1090 | 1 |
| BODY,THERMOSTAT,UPP (Ref # 16160) | 16160-1116 | 1 |
| WIRE-LEAD (Ref # 26011) | 26011-1412 | 1 |
| SWITCH,FAN (Ref # 27010) | 27010-1167 | 1 |
| CASE,THERMOSTAT (Ref # 32099) | 32099-1093 | 1 |
| PIPE,HEAD,FR (Ref # 32102) | 32102-1413 | 1 |
| PIPE,HEAD,RR (Ref # 32102A) | 32102-1414 | 1 |
| PIPE,PUMP COVER-HOSE (Ref # 32102B) | 32102-1415 | 1 |
| RADIATOR (Ref # 39060) | 39060-1077 | 1 |
| HOSE-COOLING (Ref # 39062) | 39062-1125 | 1 |
| HOSE-COOLING,HEAD,FR (Ref # 39062A) | 39062-1227 | 1 |
| HOSE-COOLING,HEAD,RR (Ref # 39062B) | 39062-1228 | 1 |
| HOSE-COOLING,THERMO-RADIATOR (Ref # 39062C) | 39062-1229 | 1 |
| HOSE-COOLING,RADIATOR-PUMP (Ref # 39062D) | 39062-1252 | 1 |
| HOSE-COOLING (Ref # 39062E) | 39062-1255 | 1 |
| BREATHER (Ref # 43056) | 43056-003 | 1 |
| RESERVOIR (Ref # 43078) | 43078-1085 | 1 |
| THERMOSTAT (Ref # 49054) | 49054-1051 | 1 |
| CAP-ASSY-PRESSURE (Ref # 49085) | 49085-1054 | 1 |
| TRIM (Ref # 53044) | 53044-1199 | 4 |
| FAN-ASSY (Ref # 59502) | 59502-1071 | 1 |
| SCREW,TAPPING,6X16 (Ref # 92009) | 92009-1436 | 4 |
| SCREW,TAPPING,6X30 (Ref # 92009A) | 92009-1481 | 4 |

1988 Vulcan 88 PARTS LIST

Radiator

| ITEM NAME | PART NUMBER | QUANTITY |
|-----------------------------------|-------------|----------|
| NUT,6MM (Ref # 92015) | 92015-1758 | 8 |
| CLAMP,TUBE (Ref # 92037) | 92037-147 | 3 |
| CLAMP,COOLING HOSE (Ref # 92037A) | 92037-1985 | 2 |
| RING-O,53.5X2.6 (Ref # 92055) | 92055-112 | 1 |
| PLUG,DRAIN (Ref # 92066) | 92066-1293 | 1 |
| GROMMET (Ref # 92071) | 92071-1115 | 2 |
| DAMPER (Ref # 92075) | 92075-1665 | 2 |
| DAMPER (Ref # 92075A) | 92075-1920 | 1 |
| COLLAR (Ref # 92143) | 92027-209 | 1 |
| COLLAR (Ref # 92143A) | 92143-1063 | 2 |
| CLAMP,COOLING HOSE (Ref # 92170) | 92170-1032 | 4 |
| CLAMP,COOLING HOSE (Ref # 92170A) | 92170-1034 | 2 |
| BOLT-FLANGED,6X12 (Ref # 130) | 130B0612 | 2 |
| BOLT-FLANGED-SMALL (Ref # 132) | 132E0610 | 2 |
| BOLT-FLANGED-SMALL (Ref # 132A) | 132E0612 | 4 |
| BOLT-FLANGED-SMALL (Ref # 132B) | 132E0625 | 2 |
| BOLT-FLANGED-SMALL (Ref # 132C) | 132E0640 | 1 |
| BOLT-FLANGED-SMALL (Ref # 132D) | 132G0610 | 4 |
| SCREW-PAN-CROS (Ref # 220) | 220D0514 | 4 |
| O RING,14MM (Ref # 670) | 670B2014 | 2 |
| O RING,18MM (Ref # 670A) | 670B2018 | 1 |