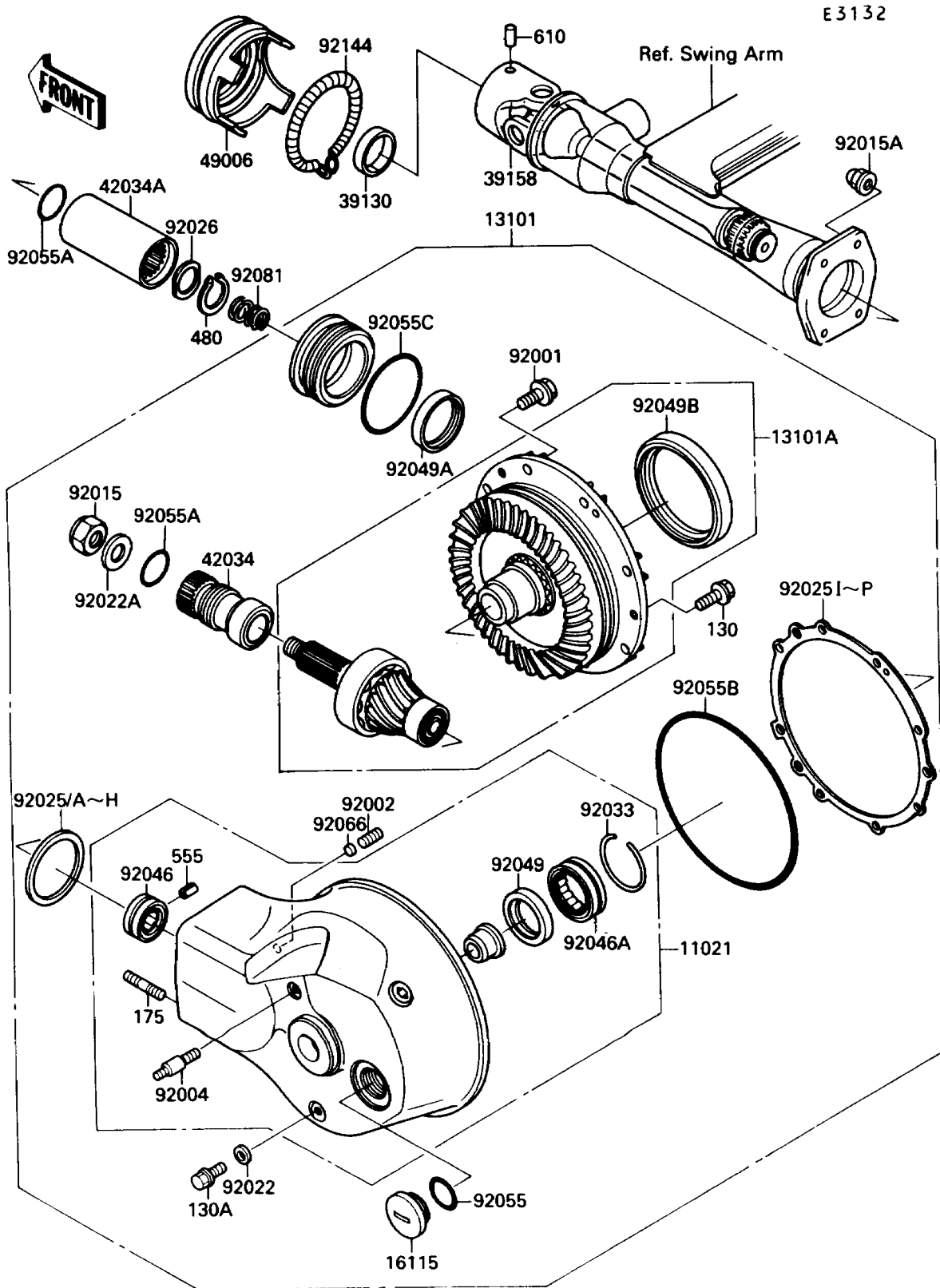


# 1991 Vulcan 88 PARTS DIAGRAM

Drive Shaft/Final Gear



# 1991 Vulcan 88 PARTS LIST

## Drive Shaft/Final Gear

| ITEM NAME                                     | PART NUMBER | QUANTITY |
|---|-------------|----------|
| CASE-ASSY,FINAL GEAR (Ref # 11021)            | 11021-1065  | 1        |
| GEAR-ASSY,FINAL (Ref # 13101)                 | 13101-1164  | 1        |
| GEAR-ASSY,BEVEL,RR (Ref # 13101A)             | 13101-5072  | 1        |
| CAP-OIL FILLER (Ref # 16115)                  | 16115-1056  | 1        |
| SPRING-LEAF (Ref # 39130)                     | 39130-1002  | 1        |
| SHAFT-ASSY-DRIVE (Ref # 39158)                | 39158-1062  | 1        |
| COUPLING (Ref # 42034)                        | 42034-1085  | 1        |
| COUPLING,PROPELLER SHAFT,OUTER (Ref # 42034A) | 42034-1092  | 1        |
| BOOT,PROPELLER SHAFT (Ref # 49006)            | 49006-1226  | 1        |
| BOLT,FLANGED,10X23 (Ref # 92001)              | 92001-1778  | 1        |
| SCREW-SET-SOCKET,8X18 (Ref # 92002)           | 92002-1836  | 1        |
| STUD,RR SHOCKABSORBER (Ref # 92004)           | 92004-1047  | 1        |
| NUT,16MM (Ref # 92015)                        | 92015-1059  | 1        |
| NUT,10MM (Ref # 92015A)                       | 92015-1649  | 4        |
| WASHER,8.2X16X1 (Ref # 92022)                 | 92022-1086  | 1        |
| WASHER,16X32X3.2 (Ref # 92022A)               | 92022-1105  | 1        |
| SHIM,T=0.10 (Ref # 92025)                     | 92025-1733  | AR       |
| SHIM,T=0.15 (Ref # 92025A)                    | 92025-1734  | AR       |
| SHIM,T=0.50 (Ref # 92025B)                    | 92025-1735  | AR       |
| SHIM,T=0.60 (Ref # 92025C)                    | 92025-1736  | AR       |
| SHIM,T=0.70 (Ref # 92025D)                    | 92025-1737  | AR       |
| SHIM,T=0.80 (Ref # 92025E)                    | 92025-1738  | AR       |
| SHIM,T=0.90 (Ref # 92025F)                    | 92025-1739  | AR       |
| SHIM,T=1.00 (Ref # 92025G)                    | 92025-1740  | AR       |
| SHIM,T=1.20 (Ref # 92025H)                    | 92025-1741  | AR       |
| SHIM,T=0.15 (Ref # 92025I)                    | 92025-1783  | AR       |
| SHIM,T=0.50 (Ref # 92025J)                    | 92025-1784  | AR       |
| SHIM,T=0.60 (Ref # 92025K)                    | 92025-1785  | AR       |
| SHIM,T=0.70 (Ref # 92025L)                    | 92025-1786  | AR       |

# 1991 Vulcan 88 PARTS LIST

## Drive Shaft/Final Gear

| ITEM NAME                                | PART NUMBER | QUANTITY |
|--|-------------|----------|
| SHIM,T=0.80 (Ref # 92025M)               | 92025-1787  | AR       |
| SHIM,T=0.90 (Ref # 92025N)               | 92025-1788  | AR       |
| SHIM,T=1.00 (Ref # 92025O)               | 92025-1789  | AR       |
| SHIM,T=1.20 (Ref # 92025P)               | 92025-1790  | AR       |
| SPACER,PROPELLER SHAFT (Ref # 92026)     | 92026-1085  | 1        |
| RING-SNAP,52MM (Ref # 92033)             | 92033-1074  | 1        |
| BEARING-NEEDLE,RNA4904RD (Ref # 92046)   | 92046-1168  | 1        |
| BEARING-NEEDLE,38NQ5020WD (Ref # 92046A) | 92046-1169  | 1        |
| SEAL-OIL,S-35477HS (Ref # 92049)         | 92049-1025  | 1        |
| SEAL-OIL (Ref # 92049A)                  | 92049-1248  | 1        |
| SEAL-OIL (Ref # 92049B)                  | 92049-1280  | 1        |
| RING-O,31.5X2.6 (Ref # 92055)            | 92055-049   | 1        |
| RING-O,ID=32.7 (Ref # 92055A)            | 92055-1037  | 2        |
| RING-O,154MM (Ref # 92055B)              | 92055-1165  | 1        |
| RING-O,67.6X3.5 (Ref # 92055C)           | 92055-1327  | 1        |
| PLUG,6.2X3 (Ref # 92066)                 | 92066-1272  | 1        |
| SPRING,PROPELLER SHAFT (Ref # 92081)     | 92081-1183  | 1        |
| SPRING,BOOT (Ref # 92144)                | 92144-1194  | 1        |
| BOLT-FLANGED,8X25 (Ref # 130)            | 130G0825    | 7        |
| BOLT-FLANGED (Ref # 130A)                | 130N0812    | 1        |
| BOLT-STUD-FINE (Ref # 175)               | 175G1025    | 4        |
| CIRCLIP-TYPE-C,26MM (Ref # 480)          | 480J2600    | 1        |
| PIN-SPRING (Ref # 555)                   | 555A0428    | 1        |
| ROLLER,4X6 (Ref # 610)                   | 610A0406    | 1        |