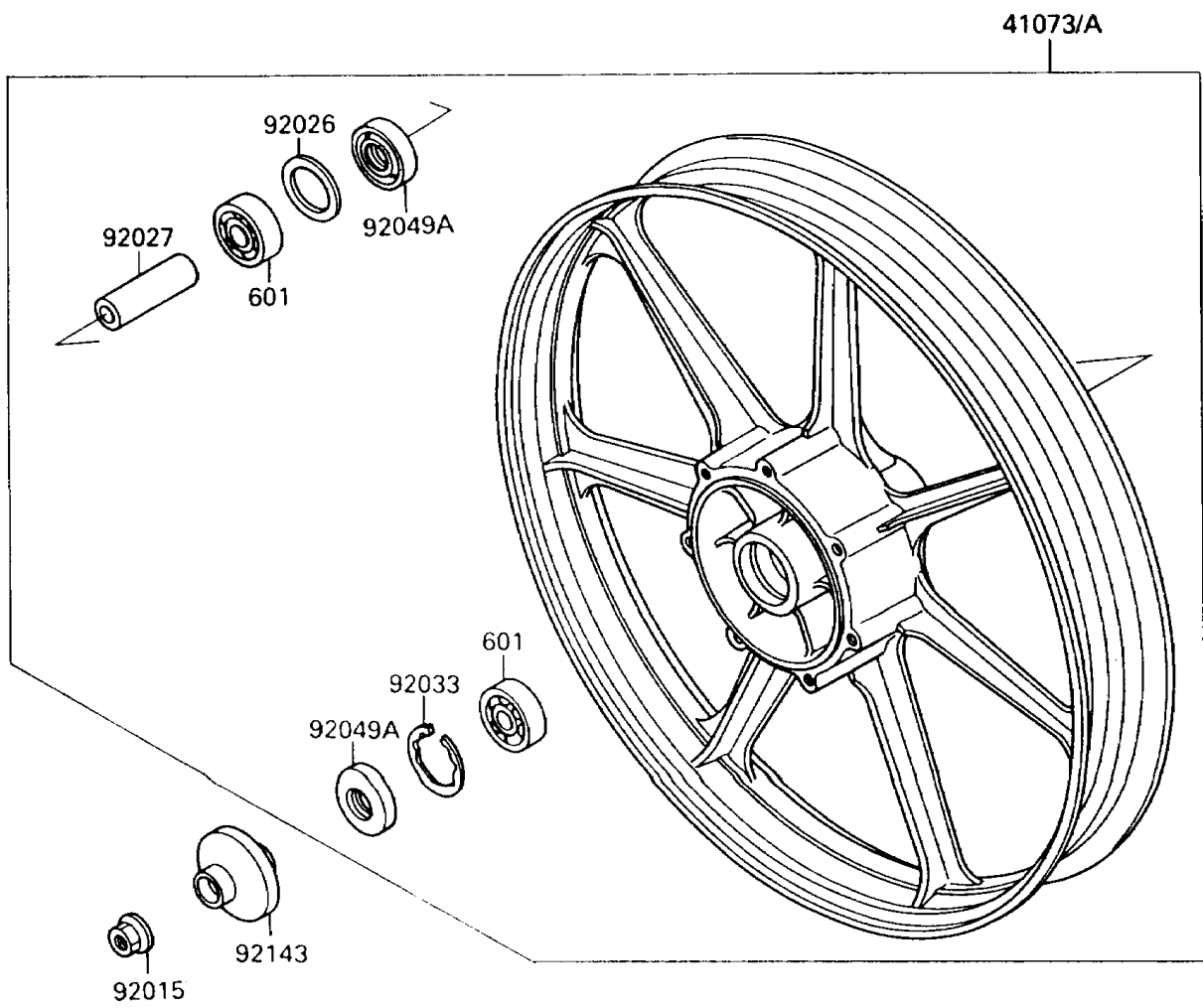
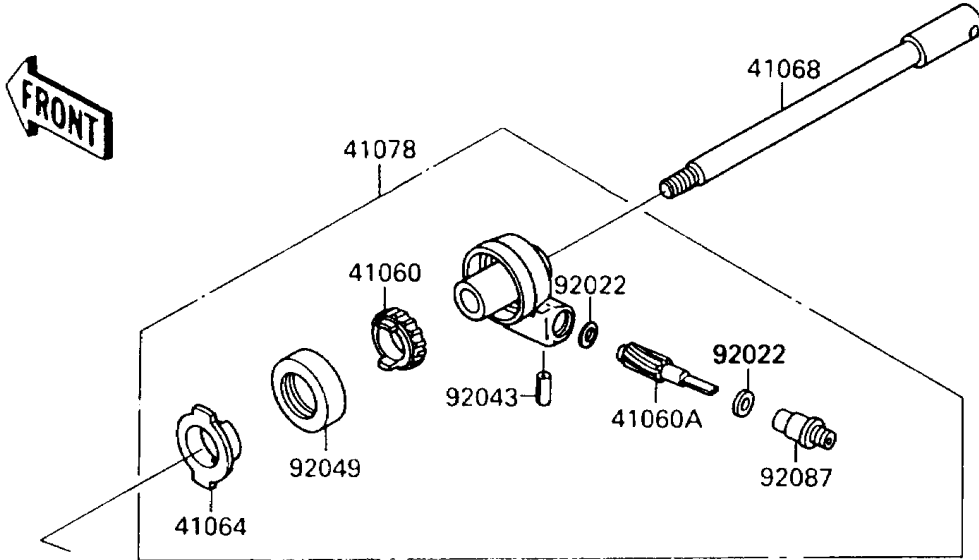


# 1989 Vulcan 88 PARTS DIAGRAM

Front Hub(JA001441&NAMI)

F223UA



# 1989 Vulcan 88 PARTS LIST

Front Hub(JA001441&NAMI)

ITEM NAME	PART NUMBER	QUANTITY
GEAR-METER SCREW,26T (Ref # 41060)	41059-026	1
GEAR-METER SCREW,9T (Ref # 41060A)	41060-1006	1
RECEIVER-SPEEDOMETER (Ref # 41064)	41064-1053	1
AXLE,FR (Ref # 41068)	41068-1189	1
WHEEL-ASSY,FR,BLACK (Ref # 41073)	41073-1407-CB	1
WHEEL-ASSY,FR,BLACK (Ref # 41073A)	41073-1427-CB	1
CASE-ASSY-METER GEAR (Ref # 41078)	41078-1065	1
NUT,14MM (Ref # 92015)	92015-1407	1
WASHER,5.1X9X0.4 (Ref # 92022)	41063-001	2
SPACER,32X41.5X2.6 (Ref # 92026)	92026-1354	1
COLLAR,L=70 (Ref # 92027)	92027-1866	1
RING-SNAP,42MM (Ref # 92033)	92033-1041	1
PIN,SPRING (Ref # 92043)	41082-001	1
SEAL-OIL,BJN30427-C3 (Ref # 92049)	92049-1057	1
SEAL-OIL,BJN22425 (Ref # 92049A)	92049-1058	2
BUSHING-METER GEAR (Ref # 92087)	92087-1056	1
COLLAR,FRONT AXLE,L=30 (Ref # 92143)	92143-1082	1
BEARING-BALL,#6302UG (Ref # 601)	601B6302UG	2