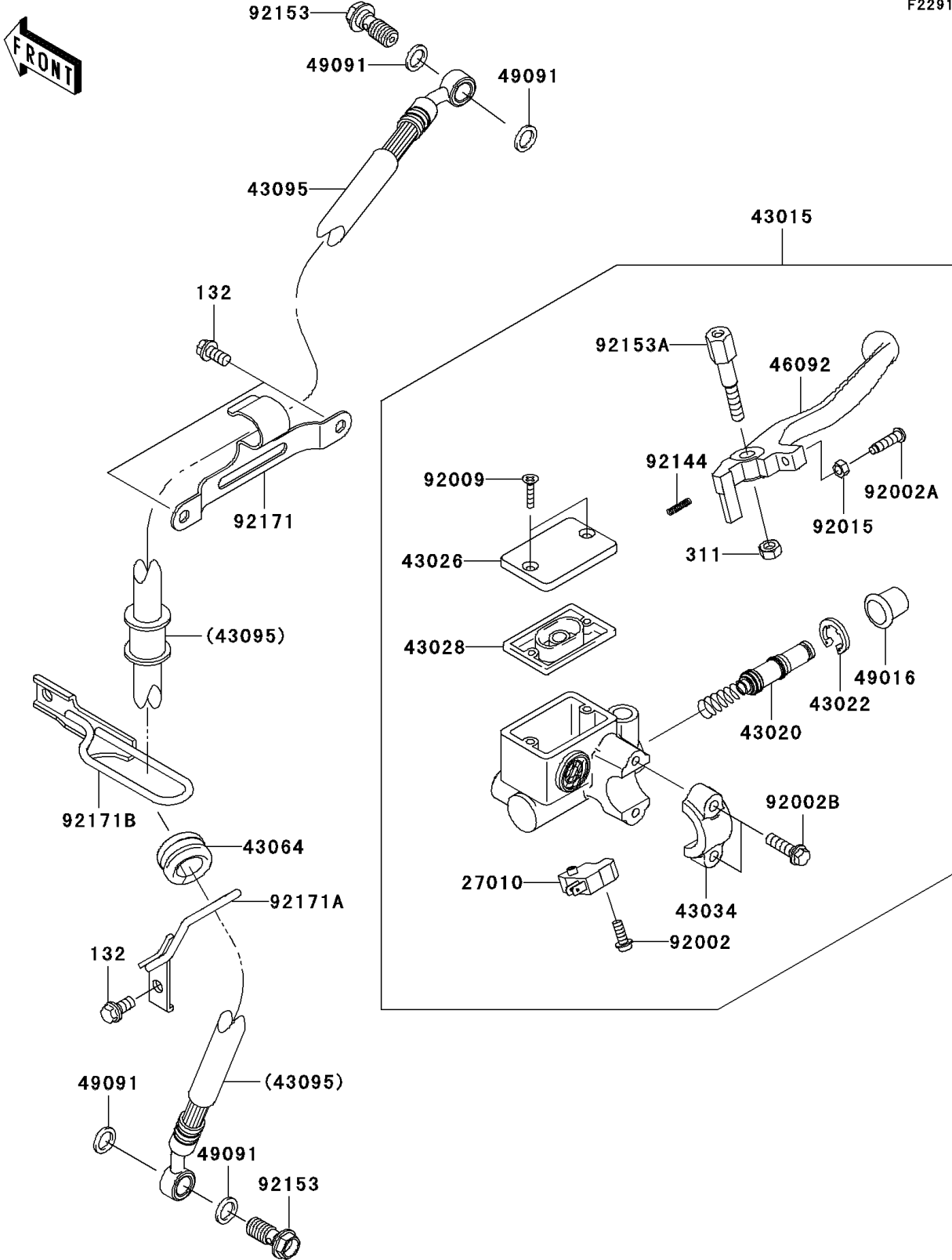


2008 KLR™ 650 PARTS DIAGRAM

Front Master Cylinder

F2291



2008 KLR™ 650 PARTS LIST

Front Master Cylinder

ITEM NAME	PART NUMBER	QUANTITY
BOLT-FLANGED-SMALL,6X12 (Ref # 132)	132BB0612	3
NUT-HEX,6MM (Ref # 311)	311BB0600	1
SWITCH,BRAKE (Ref # 27010)	27010-0025	1
CYLINDER-ASSY-MASTER,FR (Ref # 43015)	43015-0077	1
PISTON-COMP-BRAKE (Ref # 43020)	43020-1104	1
STOPPER-BRAKE,PISTON (Ref # 43022)	43022-1010	1
CAP-BRAKE (Ref # 43026)	43026-1074	1
DIAPHRAGM (Ref # 43028)	43028-1061	1
HOLDER-BRAKE,MASTER CYLINDER (Ref # 43034)	43034-1016	1
GROMMET,HOSE CLAMP (Ref # 43064)	43064-007	1
HOSE-BRAKE,FR (Ref # 43095)	43095-0255	1
LEVER-GRIP,FRONT BRAKE (Ref # 46092)	46092-1175	1
COVER-SEAL,MASTER CYLINDER (Ref # 49016)	49016-1044	1
WASHER-SEAL,10.1X14.5X1.5 (Ref # 49091)	49091-0001	4
BOLT,SCREW,4X12 (Ref # 92002)	92002-1323	1
BOLT,ADJUST (Ref # 92002A)	92002-1893	1
BOLT (Ref # 92002B)	92002-1894	2
SCREW,4MM (Ref # 92009)	92009-1458	2
NUT,ADJUST (Ref # 92015)	92015-1642	1
SPRING,RETURN (Ref # 92144)	92144-1103	1
BOLT,OIL,L=23 (Ref # 92153)	92153-0627	2
BOLT,LEVER SET (Ref # 92153A)	92153-0790	1
CLAMP,BRAKE HOSE (Ref # 92171)	92171-0756	1
CLAMP,BRAKE HOSE,LH (Ref # 92171A)	92171-0943	1
CLAMP,BRAKE HOSE,RH (Ref # 92171B)	92171-1682	1