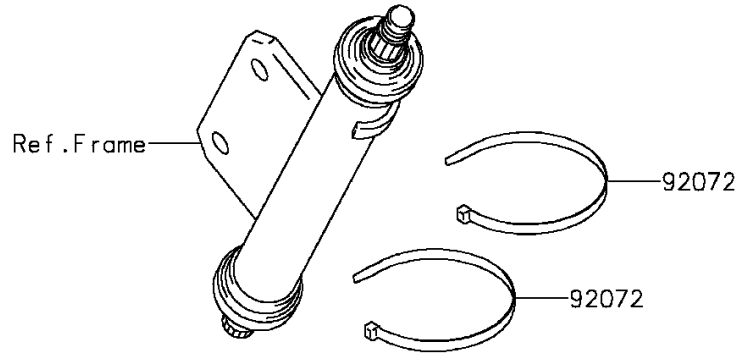
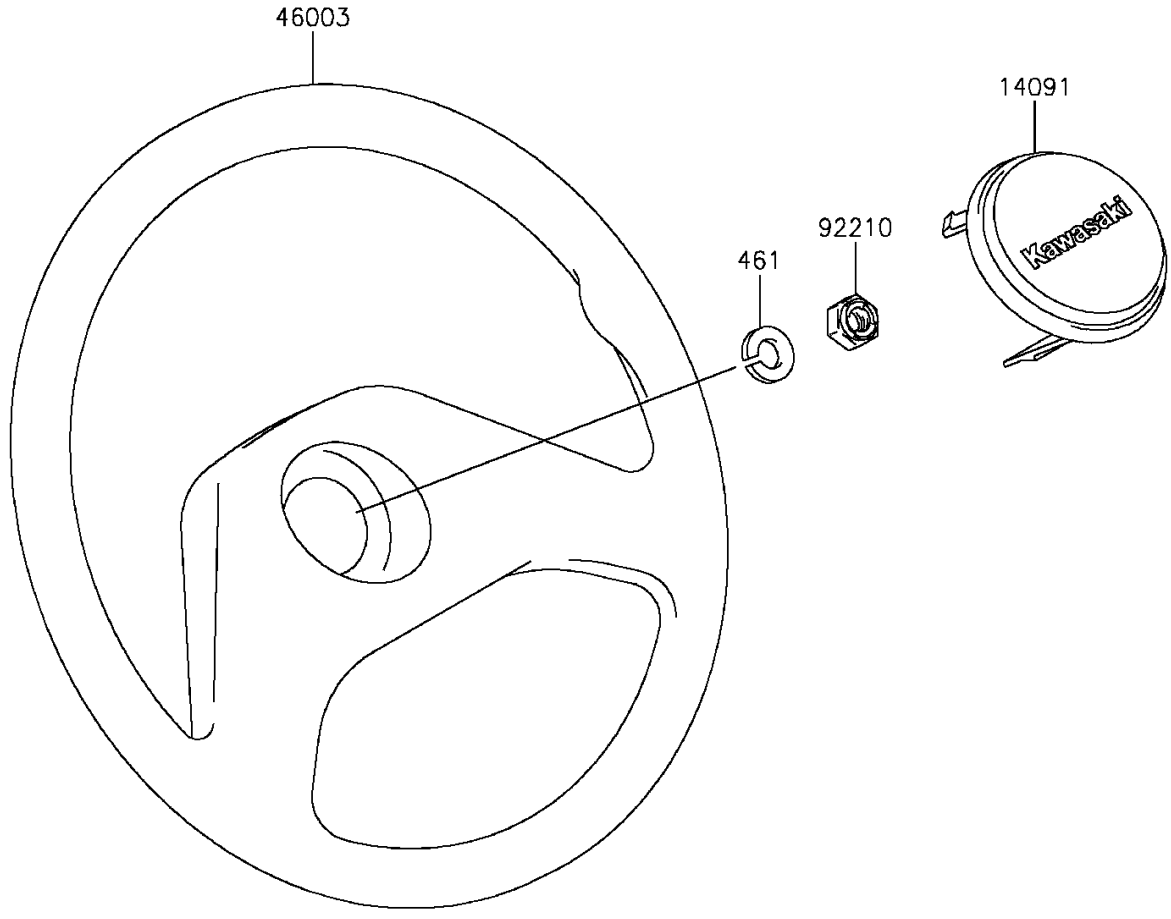


2016 MULE™ 610 4x4 SE Fleet PARTS DIAGRAM

Steering Wheel

F2311



2016 MULE™ 610 4x4 SE Fleet PARTS LIST

Steering Wheel

ITEM NAME	PART NUMBER	QUANTITY
COVER,HORN SWITCH (Ref # 14091)	14091-1247	1
HANDLE (Ref # 46003)	46003-1308	1
BAND,L=188 (Ref # 92072)	92072-1239	2
NUT,LOCK,12MM (Ref # 92210)	92210-1249	1
WASHER-SPRING,12MM (Ref # 461)	461DA1200	1