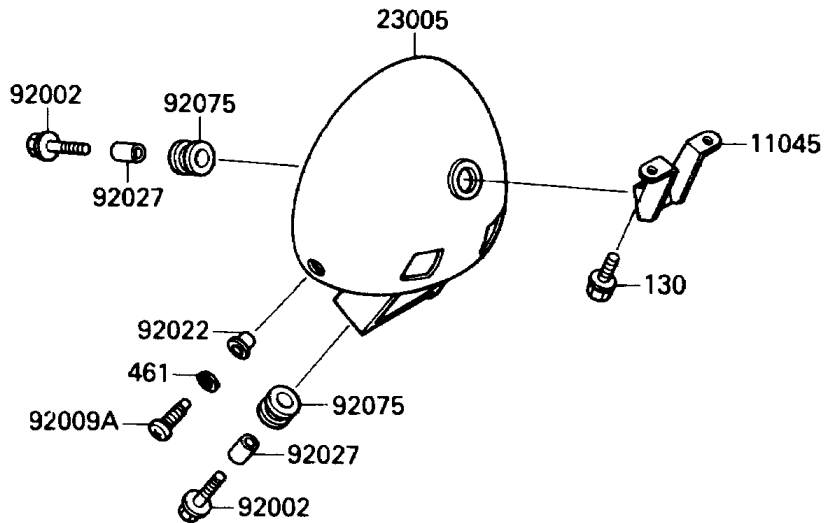
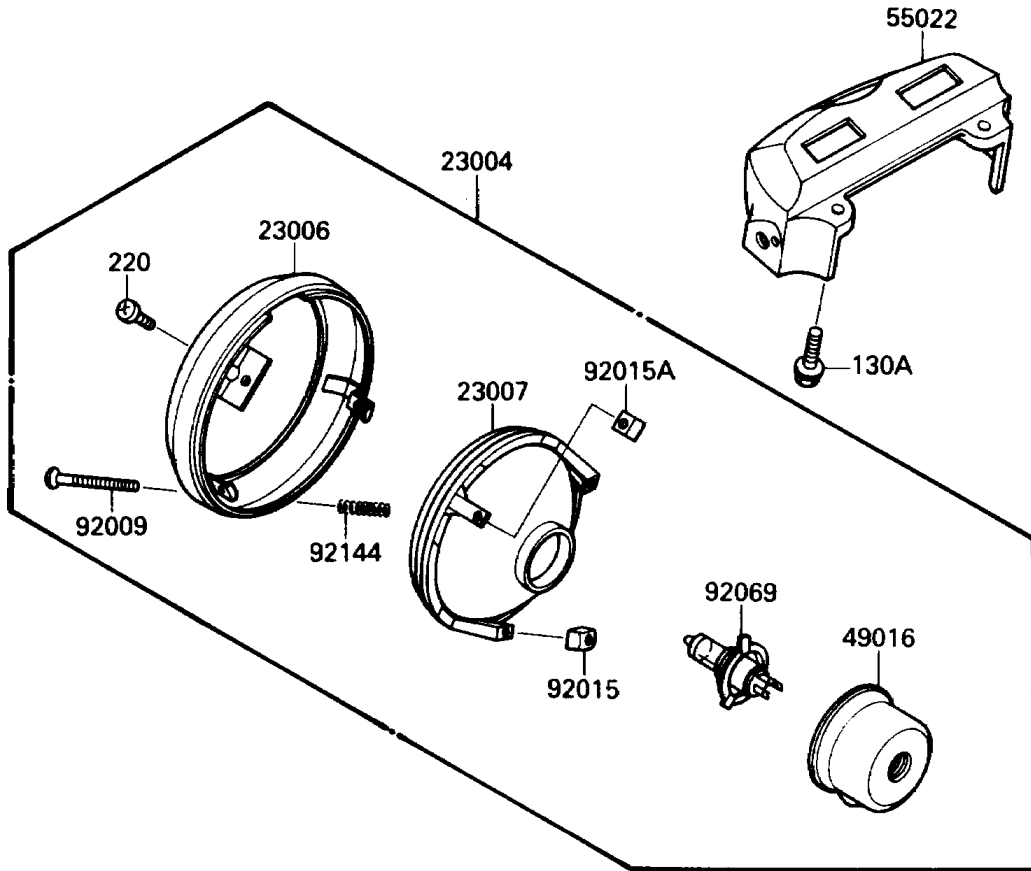


1988 Vulcan 88 PARTS DIAGRAM

Head Lamp

F2710-0282



1988 Vulcan 88 PARTS LIST

Head Lamp

ITEM NAME	PART NUMBER	QUANTITY
-----------	-------------	----------