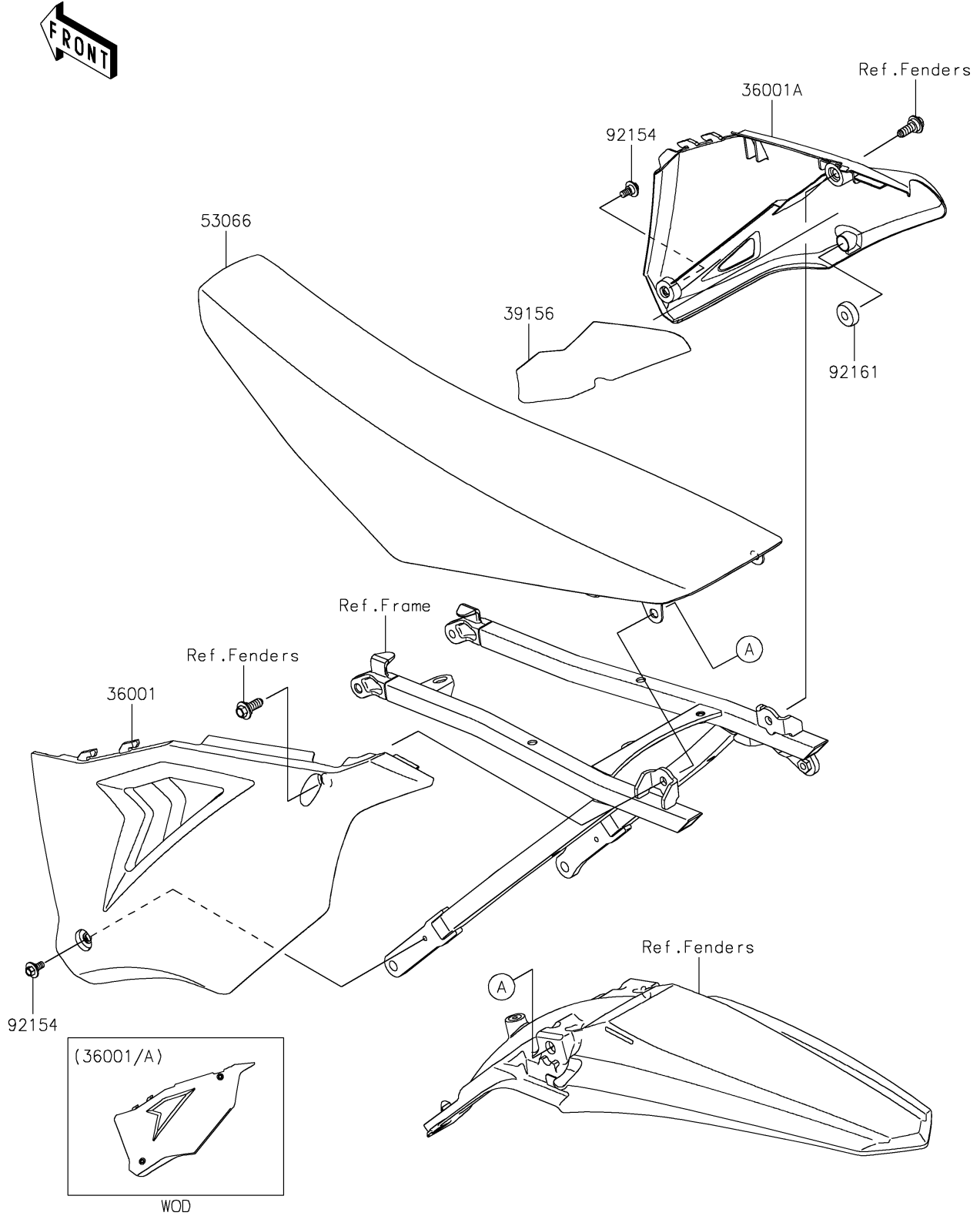


# 2022 KX™ 450X PARTS DIAGRAM

## Side Covers

F2611



## 2022 KX™ 450X PARTS LIST

### Side Covers

ITEM NAME	PART NUMBER	QUANTITY
COVER-SIDE,LH,L.GREEN (Ref # 36001)	36001-0660-290	1
COVER-SIDE,RH,L.GREEN (Ref # 36001A)	36001-0662-290	1
PAD (Ref # 39156)	39156-2264	1
SEAT-ASSY,N.L.GREEN+BLK/WHT (Ref # 53066)	53066-0604-49F	1
BOLT,FLANGED,6X9 (Ref # 92154)	92154-0546	2
DAMPER (Ref # 92161)	92161-2090	1