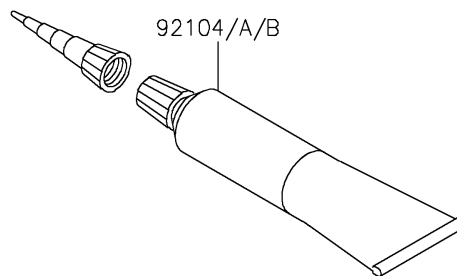
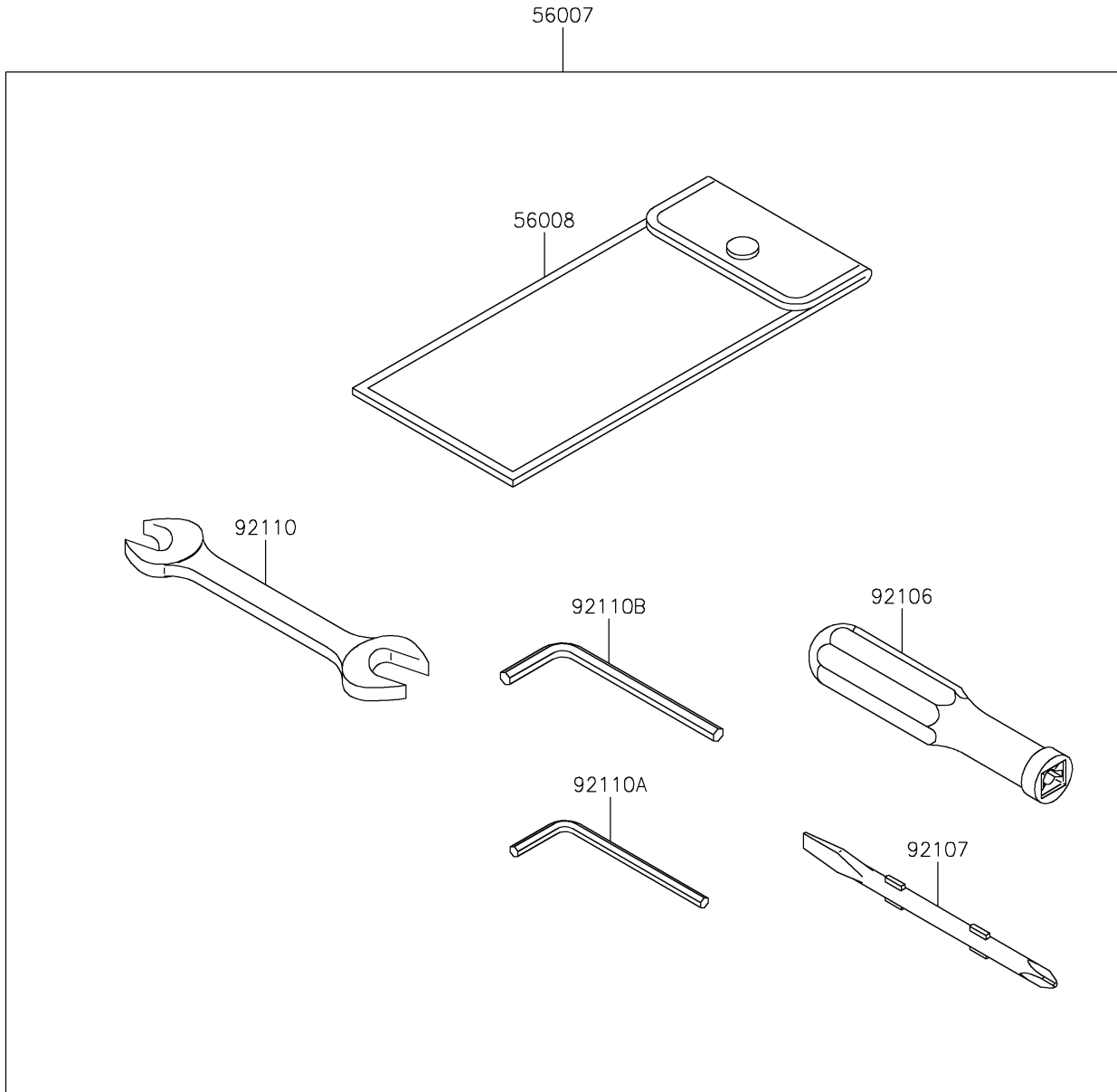


# 2022 Z900 SE PARTS DIAGRAM

Owner's Tools

F2810



# 2022 Z900 SE PARTS LIST

Owner's Tools

ITEM NAME	PART NUMBER	QUANTITY
-----------	-------------	----------