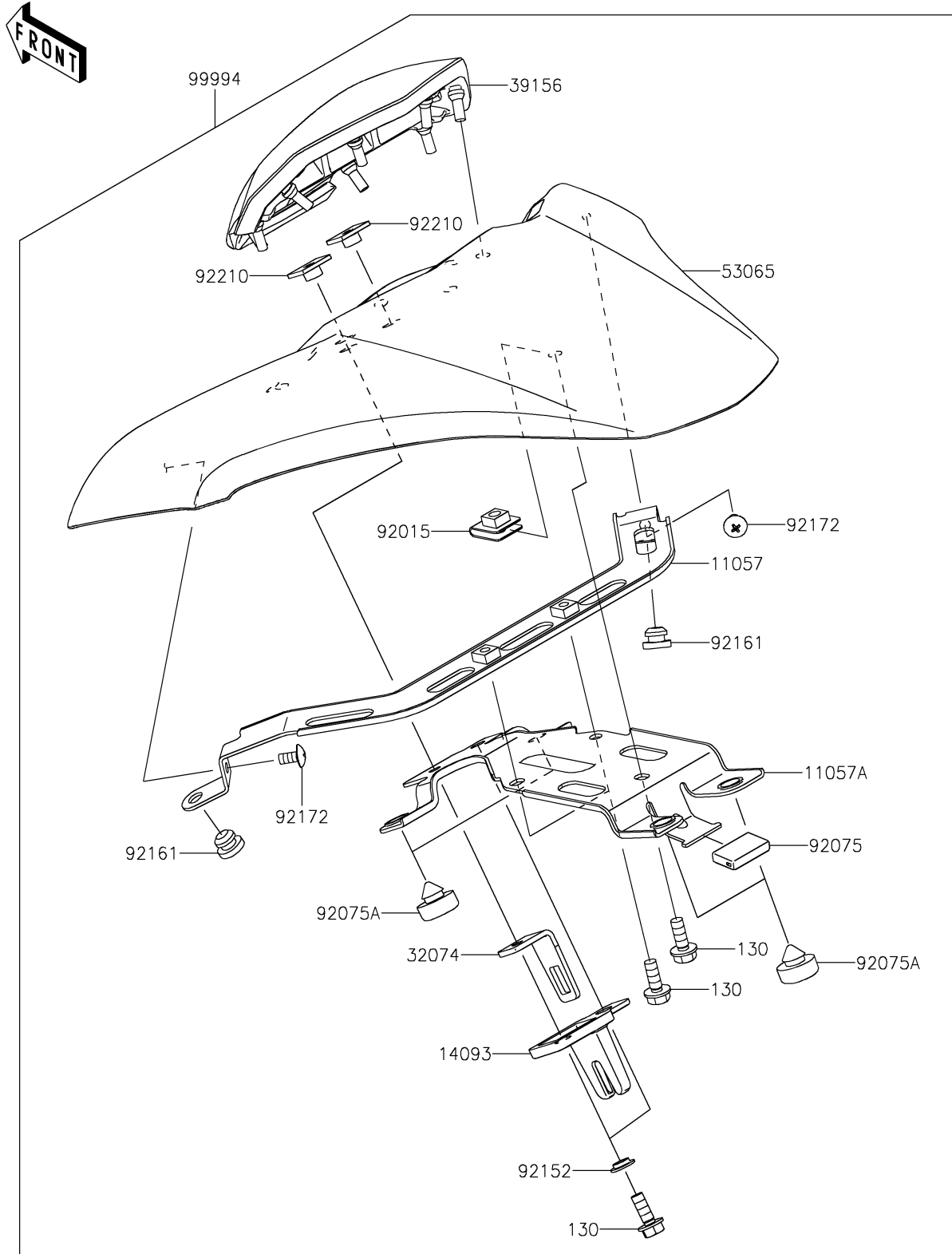


2022 Z900 SE PARTS DIAGRAM

Accessory(Pillion Seat Cover)

F2910F



2022 Z900 SE PARTS LIST

Accessory(Pillion Seat Cover)

| ITEM NAME | PART NUMBER | QUANTITY |
|--|----------------|----------|
| BRACKET (Ref # 11057) | 11057-0269 | 1 |
| BRACKET,MOUNT (Ref # 11057A) | 11057-0270 | 1 |
| COVER (Ref # 14093) | 14093-0515 | 1 |
| BRACKET-LOCK (Ref # 32074) | 32074-0017 | 1 |
| PAD (Ref # 39156) | 39156-2122 | 1 |
| COVER SEAT,C.L.GREEN (Ref # 53065) | 53065-0040-51P | 1 |
| NUT,CLAMP,6MM (Ref # 92015) | 92015-1531 | 1 |
| DAMPER (Ref # 92075) | 92075-1446 | 1 |
| DAMPER,10X20X8 (Ref # 92075A) | 92075-1927 | 4 |
| COLLAR (Ref # 92152) | 92152-0250 | 2 |
| DAMPER (Ref # 92161) | 92161-1084 | 2 |
| SCREW,5X10 (Ref # 92172) | 92172-0864 | 2 |
| NUT,PLATE,6MM (Ref # 92210) | 92210-1352 | 2 |
| PILLION SEAT COVER,C.L.GRN (Ref # 99994) | 99994-0835-51P | 1 |
| BOLT-FLANGED,6X16 (Ref # 130) | 130BB0616 | 5 |