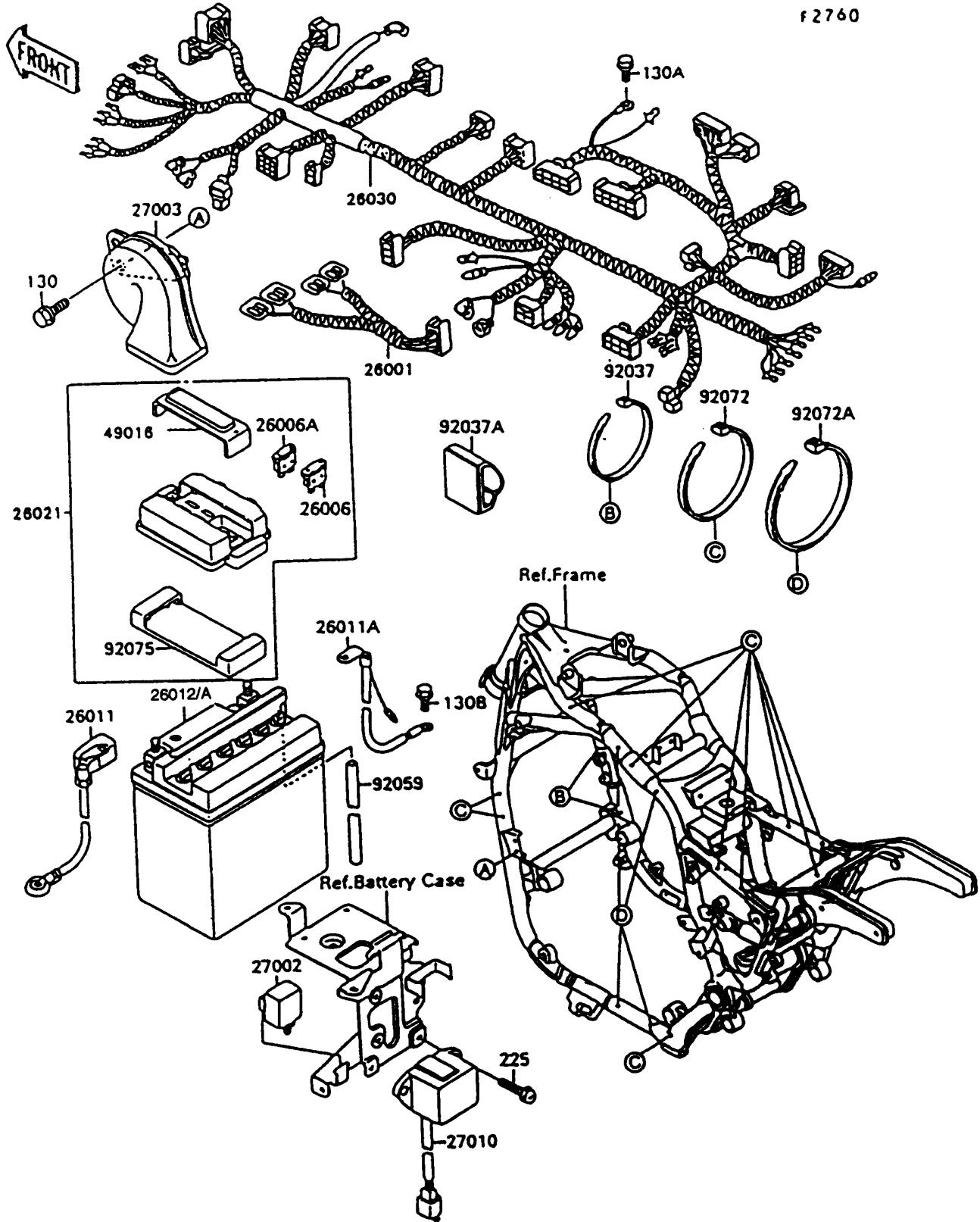


1998 Vulcan 1500 PARTS DIAGRAM

Chassis Electrical Equipment

f2760



1998 Vulcan 1500 PARTS LIST

Chassis Electrical Equipment

ITEM NAME	PART NUMBER	QUANTITY
BOLT-FLANGED,6X10,BLACK (Ref # 130)	130C0610	2
BOLT-FLANGED (Ref # 130A)	130J0610	1
BOLT-FLANGED,6X10 (Ref # 130B)	130V0610	1
SCREW-PAN-WSP-CROS (Ref # 225)	225B0620	2
HARNESS,IGNITION (Ref # 26001)	26001-1862	1
FUSE,30A-G (Ref # 26006)	26006-1067	1
FUSE,10A-R (Ref # 26006A)	26006-1068	8
WIRE-LEAD,BATTERY(+) (Ref # 26011)	26011-1391	1
WIRE-LEAD,BATTERY(-) (Ref # 26011A)	26011-1392	1
BATTERY,Y50-N18L-A,12V 20AH (Ref # 26012A)	26012-1339	1
JUNCTION BOX (Ref # 26021)	26021-1089	1
HARNESS,MAIN (Ref # 26030)	26030-1331	1
RELAY-ASSY,TURN SIGNAL (Ref # 27002)	27002-1053	1
HORN,LOW TONE (Ref # 27003)	27003-1264	1
SWITCH,RESERVE LIGHTING (Ref # 27010)	27010-1069	1
COVER-SEAL,FUSE (Ref # 49016)	49016-1177	1
CLAMP,BAND,L=137 (Ref # 92037)	92037-1817	2
CLAMP,WIRING HARNESS (Ref # 92037A)	92037-1954	4
TUBE,5X8X570 (Ref # 92059)	92059-1840	1
BAND,L=185 (Ref # 92072)	92072-1195	10
BAND,L=365 (Ref # 92072A)	92072-1197	4
DAMPER,JUNCTION BOX (Ref # 92075)	92075-1688	1