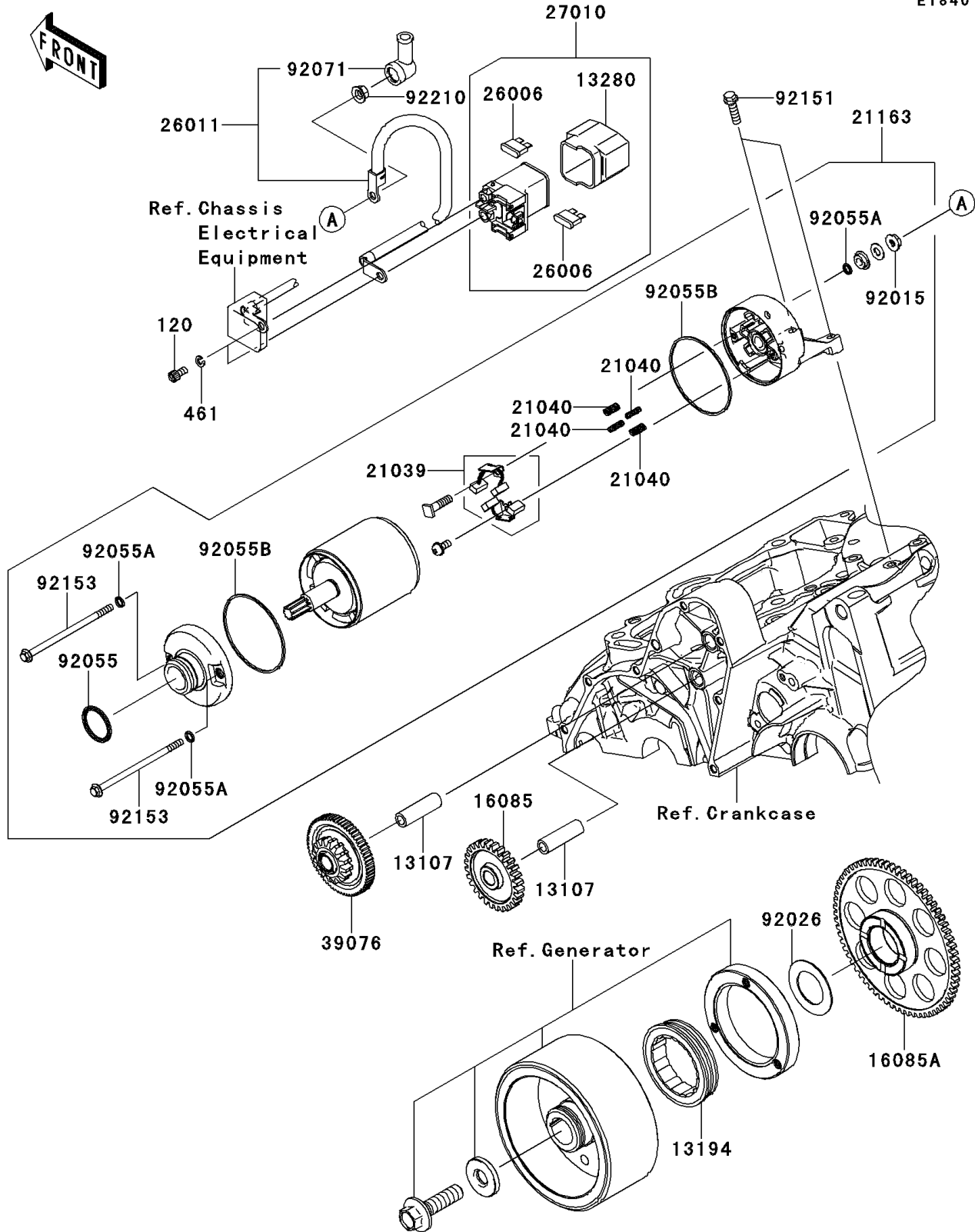


# 2010 ER-6n PARTS DIAGRAM

Starter Motor

E1840



## 2010 ER-6n PARTS LIST

### Starter Motor

ITEM NAME	PART NUMBER	QUANTITY
SHAFT,IDLE GEAR (Ref # 13107)	13107-1106	2
CLUTCH-ONEWAY (Ref # 13194)	13194-1083	1
HOLDER (Ref # 13280)	13280-0301	1
GEAR,IDLE,28T (Ref # 16085)	16085-0074	1
GEAR,67T (Ref # 16085A)	16085-0076	1
BRUSH,CARBON (Ref # 21039)	21039-0004	1
SPRING-BRUSH (Ref # 21040)	21040-0003	4
STARTER-ELECTRIC (Ref # 21163)	21163-0040	1
FUSE,30A-G (Ref # 26006)	26006-1006	2
WIRE-LEAD (Ref # 26011)	26011-0205	1
SWITCH,MAGNETIC (Ref # 27010)	27010-0099	1
LIMITER,16T&66T (Ref # 39076)	39076-0006	1
NUT,STARTER MOTOR (Ref # 92015)	92015-1476	1
SPACER,29.1X47.5X1.2 (Ref # 92026)	92026-087	1
RING-O (Ref # 92055)	92055-1276	1
RING-O,4.5X2.0 (Ref # 92055A)	92055-1370	3
RING-O,STARTER MOTOR (Ref # 92055B)	92055-1381	2
GROMMET (Ref # 92071)	92071-0024	1
BOLT,6X22 (Ref # 92151)	92151-1937	2
BOLT (Ref # 92153)	92153-1783	2
NUT,6MM (Ref # 92210)	92210-0188	1
BOLT-SOCKET,6X10 (Ref # 120)	120CB0610	2
WASHER-SPRING,6MM,BLACK (Ref # 461)	461DB0600	2