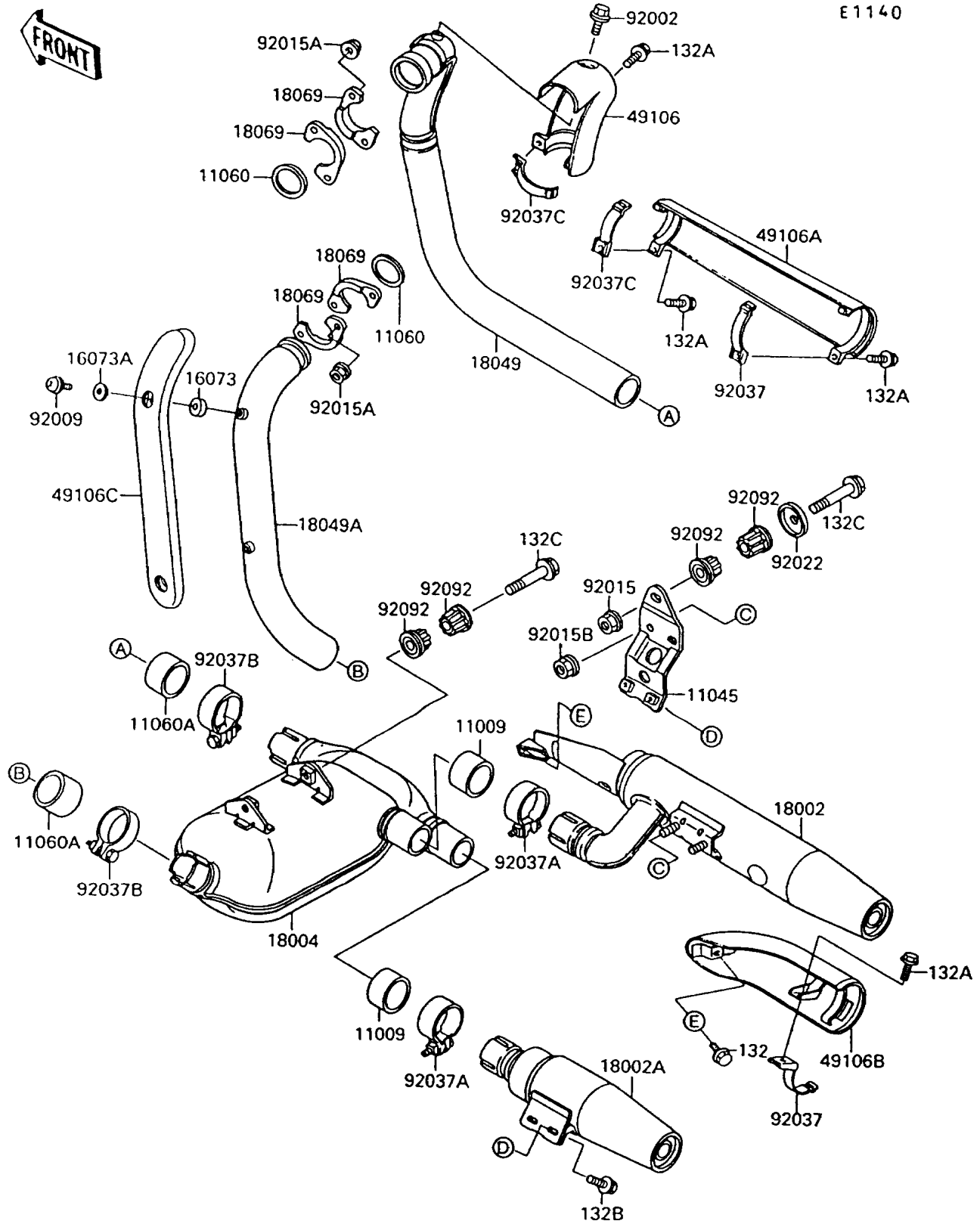


1992 Vulcan 88 PARTS DIAGRAM

Muffler(s)

E 1140



1992 Vulcan 88 PARTS LIST

Muffler(s)

ITEM NAME	PART NUMBER	QUANTITY
BOLT-FLANGED-SMALL (Ref # 132)	132E0610	1
BOLT-FLANGED-SMALL (Ref # 132A)	132E0620	4
BOLT-FLANGED-SMALL (Ref # 132B)	132E0814	2
BOLT-FLANGED-SMALL,8X55 (Ref # 132C)	132E0855	3
GASKET,EXHAUST PIPE CONNECTING (Ref # 11009)	11009-1666	2
BRACKET,MUFFLER (Ref # 11045)	11045-1435	1
GASKET,EXHAUST PIPE (Ref # 11060)	11060-1119	2
GASKET,EXHAUST PIPE HOLDER (Ref # 11060A)	11060-1330	2
INSULATOR,6.5X12.5X4 (Ref # 16073)	16073-1069	2
INSULATOR,6.5X12.5X2 (Ref # 16073A)	16073-1070	2
BODY-COMP-MUFFLER,UPP (Ref # 18002)	18002-1806	1
BODY-COMP-MUFFLER,LWR (Ref # 18002A)	18002-1807	1
CHAMBER-PREMUFFLER (Ref # 18004)	18004-1057	1
PIPE-EXHAUST,FR (Ref # 18049)	18049-1406	1
PIPE-EXHAUST,RR (Ref # 18049A)	18049-1407	1
HOLDER-EXHAUST PIPE (Ref # 18069)	18069-1074	4
COVER-EXHAUST PIPE,FR (Ref # 49106)	49106-1095	1
COVER-EXHAUST PIPE,FR (Ref # 49106A)	49106-1096	1
COVER-MUFFLER (Ref # 49106B)	49106-1107	1
COVER-MUFFLER,PIPE,RR (Ref # 49106C)	49106-1109	1
BOLT,6X8 (Ref # 92002)	92002-1604	1
SCREW (Ref # 92009)	92009-1517	2
NUT,FLANGED,8MM (Ref # 92015)	92015-1014	1
NUT,CAP,8MM (Ref # 92015A)	92015-1371	4
NUT,8MM (Ref # 92015B)	92015-1398	2
WASHER,CUP TYPE (Ref # 92022)	92022-1270	1
CLAMP,MUFFLER COVER (Ref # 92037)	92037-1615	2
CLAMP,52MM (Ref # 92037A)	92037-1633	2
CLAMP,59MM (Ref # 92037B)	92037-1863	2

1992 Vulcan 88 PARTS LIST

Muffler(s)

ITEM NAME	PART NUMBER	QUANTITY
CLAMP (Ref # 92037C)	92037-1874	2
BUSHING-RUBBER,MUFFLER (Ref # 92092)	92092-1013	6