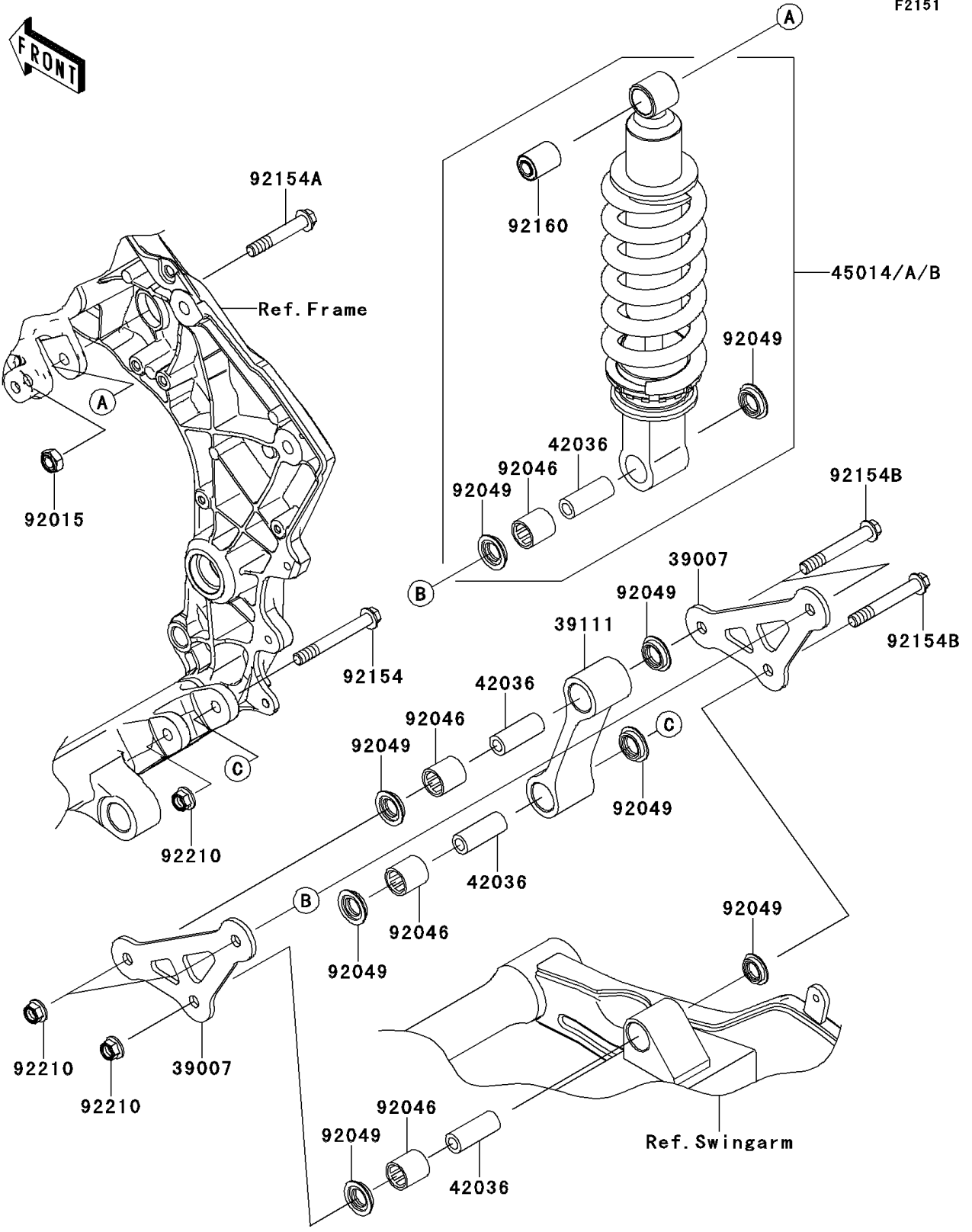


2011 Z1000 PARTS DIAGRAM

Suspension/Shock Absorber



2011 Z1000 PARTS LIST

Suspension/Shock Absorber

ITEM NAME	PART NUMBER	QUANTITY
ARM-SUSP,UNI TRAK,P.SILVER (Ref # 39007)	39007-0156-458	2
ROD-TIE,SUSPENSION,F.S.BLACK (Ref # 39111)	39111-0069-18R	1
SLEEVE,10.1X17X44.5 (Ref # 42036)	42036-1342	4
SHOCK,SPRING SIL+BODY BLK (Ref # 45014)	45014-0326-23I	1
NUT,LOCK,10MM,BLACK (Ref # 92015)	92015-1189	1
BEARING-NEEDLE,SFYZM172425 (Ref # 92046)	92046-1273	4
SEAL-OIL,MHA17245.7F (Ref # 92049)	92049-1223	8
BOLT,FLANGED,10X77 (Ref # 92154)	92154-0262	1
BOLT,FLANGED,10X60 (Ref # 92154A)	92154-0263	1
BOLT,FLANGED,10X67 (Ref # 92154B)	92154-0264	3
DAMPER,SHOCKABSORBER (Ref # 92160)	92160-1496	1
NUT,LOCK,FLANGED,10MM (Ref # 92210)	92210-1139	4