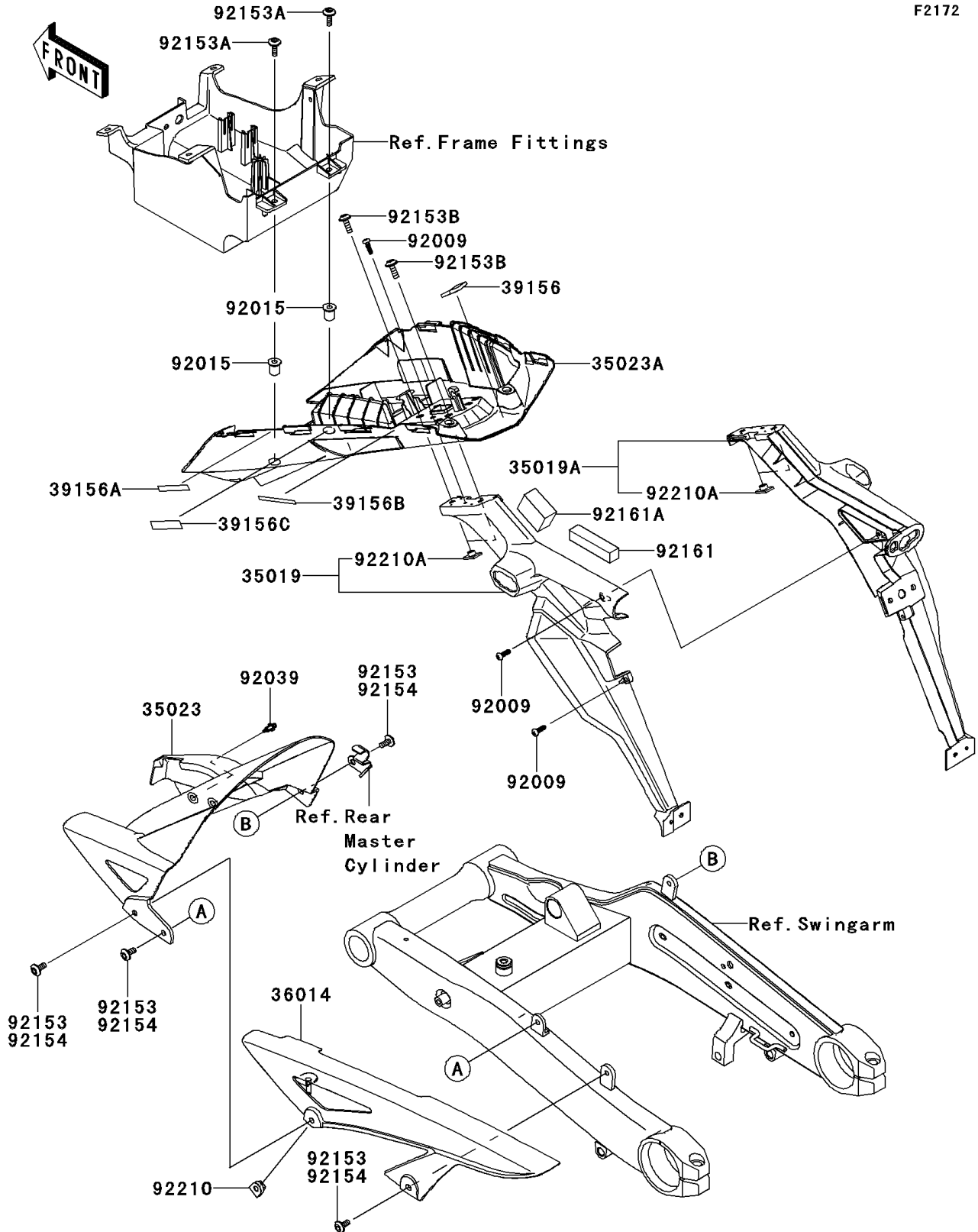


# 2010 Z1000 PARTS DIAGRAM

Rear Fender(s)

F2172



## 2010 Z1000 PARTS LIST

### Rear Fender(s)

ITEM NAME	PART NUMBER	QUANTITY
FLAP,LH (Ref # 35019)	35019-0092	1
FLAP,RH (Ref # 35019A)	35019-0093	1
FENDER-REAR,INNER (Ref # 35023)	35023-0170	1
FENDER-REAR (Ref # 35023A)	35023-0189	1
CASE-CHAIN (Ref # 36014)	36014-0029	1
PAD (Ref # 39156)	39156-0627	1
PAD,45X8 (Ref # 39156A)	39156-0633	2
PAD,5X55 (Ref # 39156B)	39156-0634	2
PAD,12X44 (Ref # 39156C)	39156-0635	2
SCREW,TAPPING,5X16 (Ref # 92009)	92009-1984	4
NUT (Ref # 92015)	92015-1700	2
RIVET (Ref # 92039)	92039-0060	2
BOLT,SOCKET,6X14 (Ref # 92153)	92153-0422	4
BOLT,6X18 (Ref # 92153A)	92153-0816	2
BOLT,SOCKET,6X18 (Ref # 92153B)	92153-1675	4
DAMPER,70X15X15 (Ref # 92161)	92161-0891	2
DAMPER (Ref # 92161A)	92161-3752	2
NUT,6MM (Ref # 92210)	92210-0277	1
NUT,PLATE,6MM (Ref # 92210A)	92210-1352	4