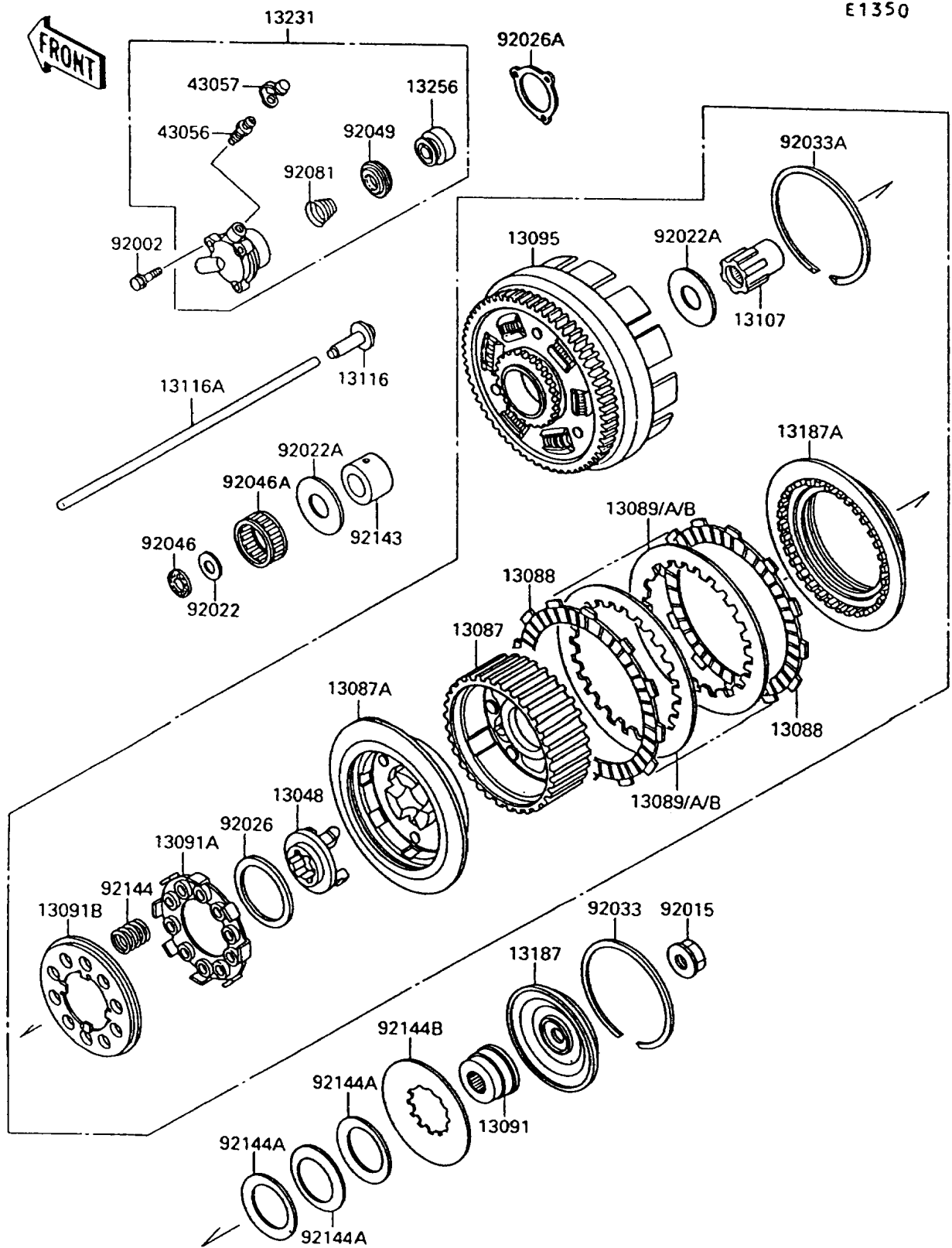


1994 Vulcan 88 PARTS DIAGRAM

Clutch



1994 Vulcan 88 PARTS LIST

Clutch

ITEM NAME	PART NUMBER	QUANTITY
CAM-DAMPER (Ref # 13048)	13048-1007	1
HUB-CLUTCH,OUTER (Ref # 13087)	13087-1103	1
HUB-CLUTCH,INNER (Ref # 13087A)	13087-1110	1
PLATE-FRICTION (Ref # 13088)	13088-1018	8
PLATE-CLUTCH,T=2.0 (Ref # 13089)	13089-1075	AR
PLATE-CLUTCH,T=1.6 (Ref # 13089A)	13089-1080	AR
PLATE-CLUTCH,T=2.3 (Ref # 13089B)	13089-1081	AR
HOLDER,CLUTCH SPRING (Ref # 13091)	13091-1494	1
HOLDER,DAMPER SPRING (Ref # 13091A)	13091-1495	1
HOLDER,DAMPER SPRING (Ref # 13091B)	13091-1496	1
HOUSING-COMP-CLUTCH (Ref # 13095)	13095-1168	1
SHAFT,CLUTCH CAM DAMPER (Ref # 13107)	13107-1237	1
ROD-PUSH,CLUTCH (Ref # 13116)	13116-1102	1
ROD-PUSH (Ref # 13116A)	13116-1132	1
PLATE-CLUTCH OPERATING (Ref # 13187)	13187-1063	1
PLATE-CLUTCH OPERATING (Ref # 13187A)	13187-1066	1
RELEASE-ASSY-CLUTCH (Ref # 13231)	13231-1064	1
PISTON (Ref # 13256)	13256-1052	1
BREATHER-BRAKE (Ref # 43056)	43056-1052	1
CAP-BREATHER (Ref # 43057)	43057-1001	1
BOLT,6X25 (Ref # 92002)	92002-1612	3
NUT,20MM (Ref # 92015)	92015-1461	1
WASHER,15.1X29X1.0 (Ref # 92022)	92022-1463	1
WASHER,25.3X56X2.0 (Ref # 92022A)	92022-1857	2
SPACER,59X70X3.5 (Ref # 92026)	92026-1043	1
SPACER,CLUTCH RELEASE (Ref # 92026A)	92026-1263	1
RING-SNAP (Ref # 92033)	92033-1238	1
RING-SNAP (Ref # 92033A)	92033-1239	1
BEARING-NEEDLE,AXK1102 (Ref # 92046)	92046-1052	1

1994 Vulcan 88 PARTS LIST

Clutch

ITEM NAME	PART NUMBER	QUANTITY
BEARING-NEEDLE (Ref # 92046A)	92046-1175	1
SEAL-OIL,PISTON (Ref # 92049)	92049-1165	1
SPRING,CLUTCH RELEASE (Ref # 92081)	92081-1644	1
COLLAR,INPUT SHAFT (Ref # 92143)	92143-1076	1
SPRING,DAMPER (Ref # 92144)	92144-1187	10
SPRING,LIMITER (Ref # 92144A)	92144-1188	3
SPRING,CLUTCH (Ref # 92144B)	92144-1295	1