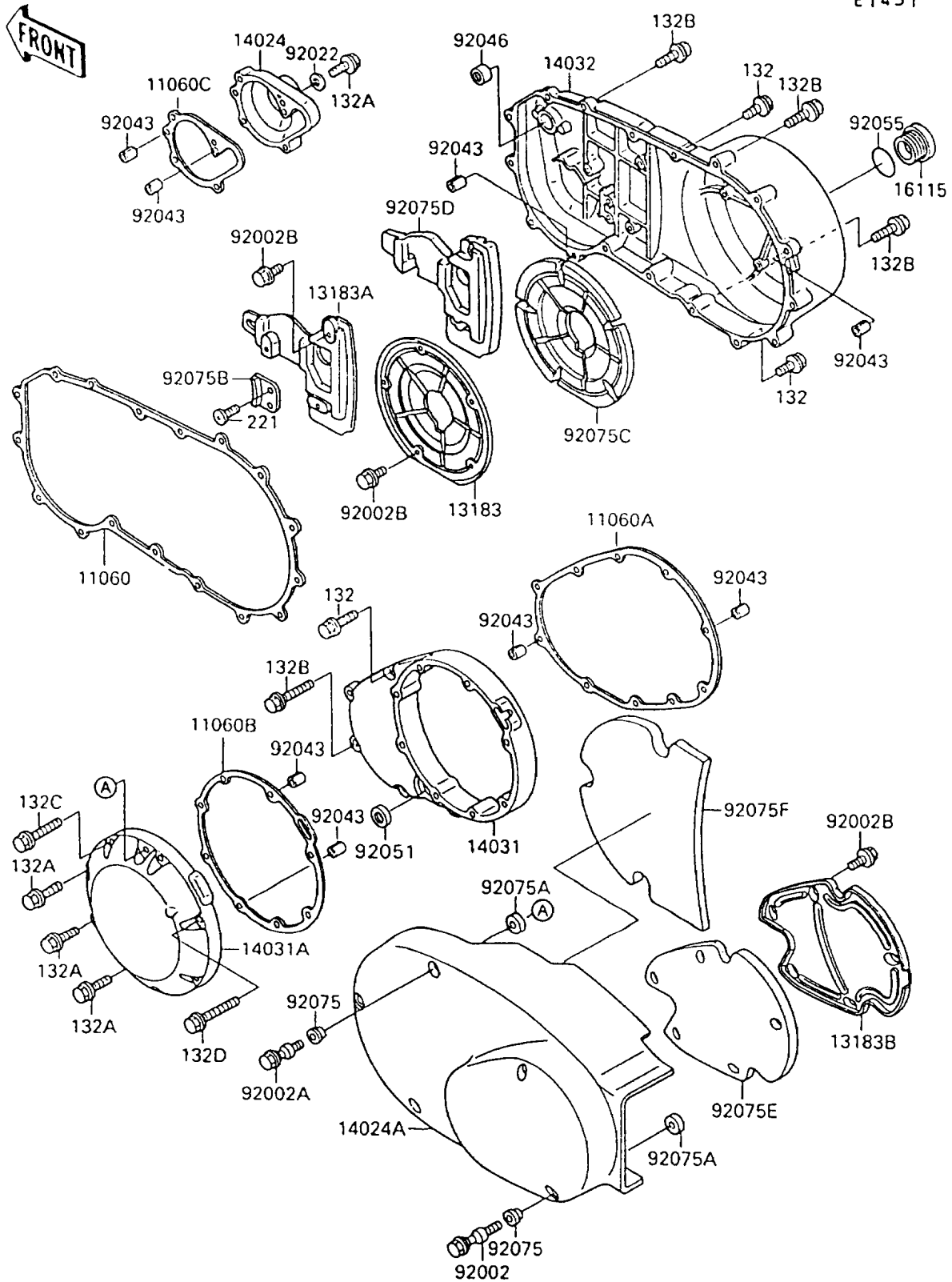


1995 Vulcan 88 PARTS DIAGRAM

Engine Cover(s)



1995 Vulcan 88 PARTS LIST

Engine Cover(s)

ITEM NAME	PART NUMBER	QUANTITY
BOLT-FLANGED-SMALL (Ref # 132)	132E0625	14
BOLT-FLANGED-SMALL (Ref # 132A)	132E0630	7
BOLT-FLANGED-SMALL (Ref # 132B)	132E0635	8
BOLT-FLANGED-SMALL (Ref # 132C)	132E0655	4
BOLT-FLANGED-SMALL (Ref # 132D)	132E0665	1
SCREW-CSK-CROS,6X12 (Ref # 221)	221B0612	2
GASKET,CLUTCH COVER (Ref # 11060)	11060-1121	1
GASKET,GENERATOR (Ref # 11060A)	11060-1122	1
GASKET,GENERATOR OUTER (Ref # 11060B)	11060-1123	1
GASKET,WATER PUMP COVER (Ref # 11060C)	11060-1124	1
PLATE (Ref # 13183)	13183-1169	1
PLATE (Ref # 13183A)	13183-1170	1
PLATE,DAMPER (Ref # 13183B)	13183-1171	1
COVER,WATER PUMP (Ref # 14024)	14024-1402	1
COVER,LH (Ref # 14024A)	14024-1403	1
COVER-GENERATOR (Ref # 14031)	14031-1205	1
COVER-GENERATOR,OUTER (Ref # 14031A)	14031-1206	1
COVER-CLUTCH (Ref # 14032)	14032-1233	1
CAP-OIL FILLER (Ref # 16115)	16115-1056	1
BOLT (Ref # 92002)	92002-1814	2
BOLT (Ref # 92002A)	92002-1900	3
BOLT,6X8 (Ref # 92002B)	92002-1944	13
WASHER,6.1X12X1 (Ref # 92022)	92022-077	2
PIN,6.2X8X14 (Ref # 92043)	92043-1263	8
BEARING-NEEDLE,HK1212 (Ref # 92046)	92046-1163	1
SEAL-OIL,TB13225.5 (Ref # 92051)	92051-005	1
RING-O,31.5X2.6 (Ref # 92055)	92055-049	1
DAMPER (Ref # 92075)	92075-1855	5
DAMPER (Ref # 92075A)	92075-1856	5

1995 Vulcan 88 PARTS LIST

Engine Cover(s)

ITEM NAME	PART NUMBER	QUANTITY
DAMPER (Ref # 92075B)	92075-1905	1
DAMPER,CLUTCH COVER,RR (Ref # 92075C)	92075-1975	1
DAMPER,CLUTCH COVER,FR (Ref # 92075D)	92075-1976	1
DAMPER,LH COVER,RR (Ref # 92075E)	92075-1977	1
DAMPER,LH COVER,FR (Ref # 92075F)	92075-1978	1