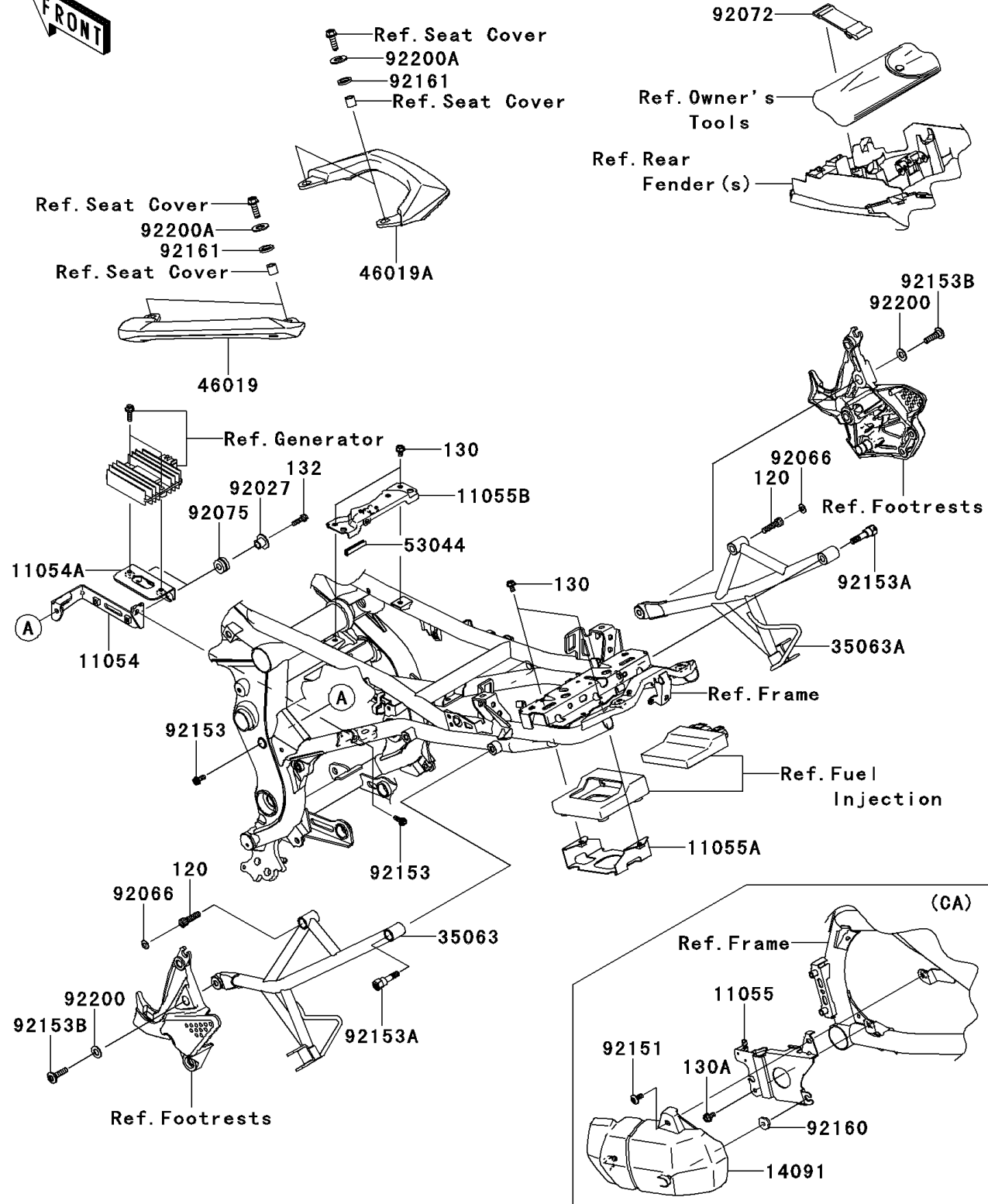


2010 Versys® PARTS DIAGRAM

Frame Fittings

F2131



2010 Versys® PARTS LIST

Frame Fittings

ITEM NAME	PART NUMBER	QUANTITY
BRACKET,REGULATOR (Ref # 11054)	11054-1283	1
BRACKET,REGULATOR (Ref # 11054A)	11054-1284	1
BRACKET,CANISTER (Ref # 11055)	11055-0586	1
BRACKET,ECU (Ref # 11055A)	11055-1872	1
BRACKET,FUEL TANK (Ref # 11055B)	11055-1929	1
COVER,CANISTER (Ref # 14091)	14091-1586	1
STAY,STEP,RR,LH,F.M.GRAY (Ref # 35063)	35063-0478-26M	1
STAY,STEP,RR,RH,F.M.GRAY (Ref # 35063A)	35063-0479-26M	1
GRIP-ASSY,LH (Ref # 46019)	46019-0030	1
GRIP-ASSY,RH (Ref # 46019A)	46019-0031	1
TRIM,L=40 (Ref # 53044)	53044-1174	1
COLLAR,L=13.1,BLACK (Ref # 92027)	92027-1450	2
PLUG (Ref # 92066)	92066-1216	2
BAND,TOOL (Ref # 92072)	92072-1176	1
DAMPER (Ref # 92075)	92075-209	2
BOLT,SOCKET,6X14 (Ref # 92151)	92151-1654	1
BOLT,SOCKET,6X16 (Ref # 92153)	92153-1517	2
BOLT (Ref # 92153A)	92153-1532	2
BOLT,SOCKET,8X30 (Ref # 92153B)	92153-1630	2
DAMPER (Ref # 92160)	92160-1613	2
DAMPER,14X22X3 (Ref # 92161)	92161-0867	4
WASHER,10.2X20X1.6 (Ref # 92200)	92200-0328	2
WASHER,8.2X26X3.2 (Ref # 92200A)	92200-0568	4
BOLT-SOCKET,8X30 (Ref # 120)	120CA0830	2
BOLT-FLANGED,6X10 (Ref # 130)	130BA0610	4
BOLT-FLANGED,6X12 (Ref # 130A)	130BB0612	1
BOLT-FLANGED-SMALL,6X22 (Ref # 132)	132BB0622	2