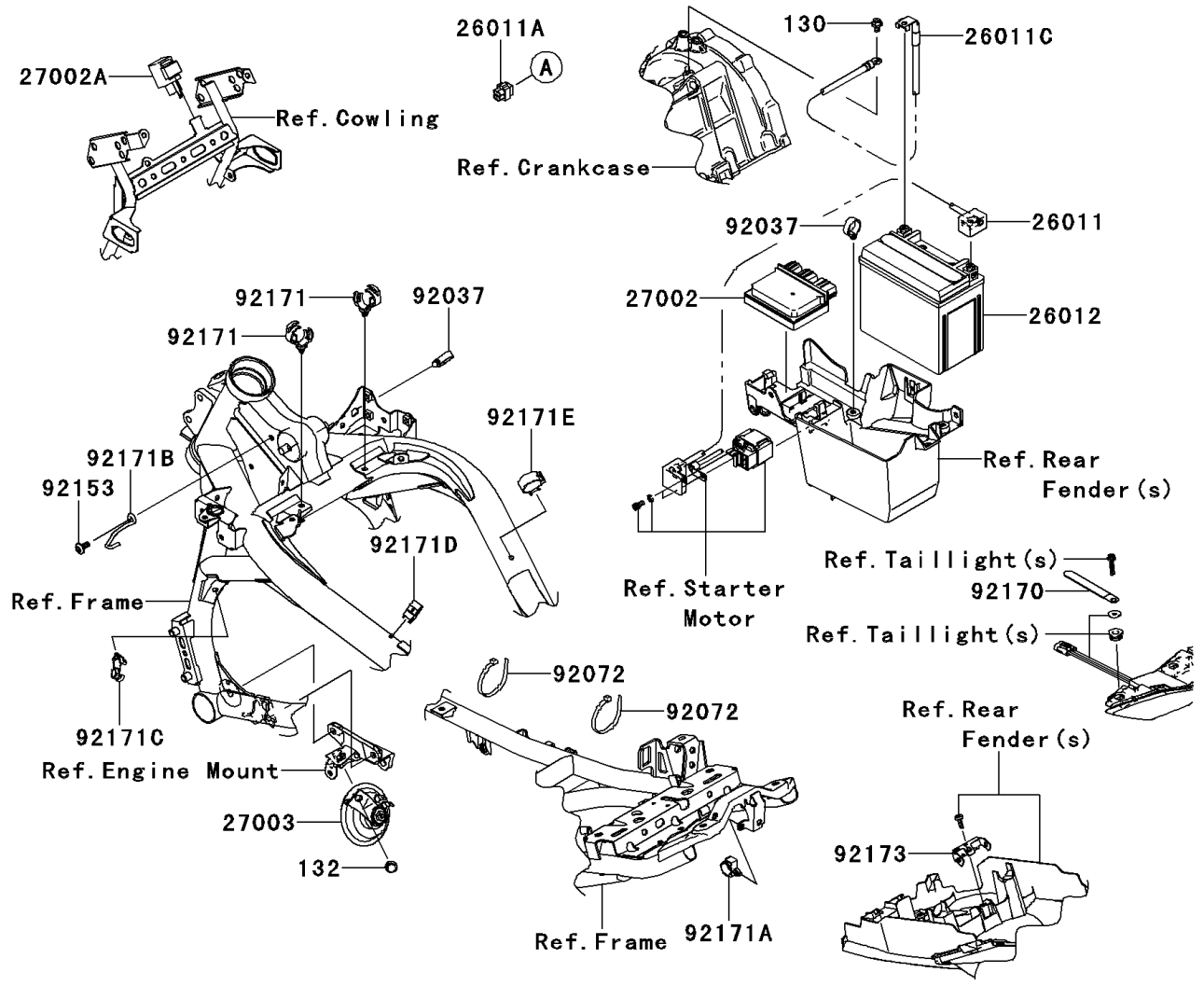
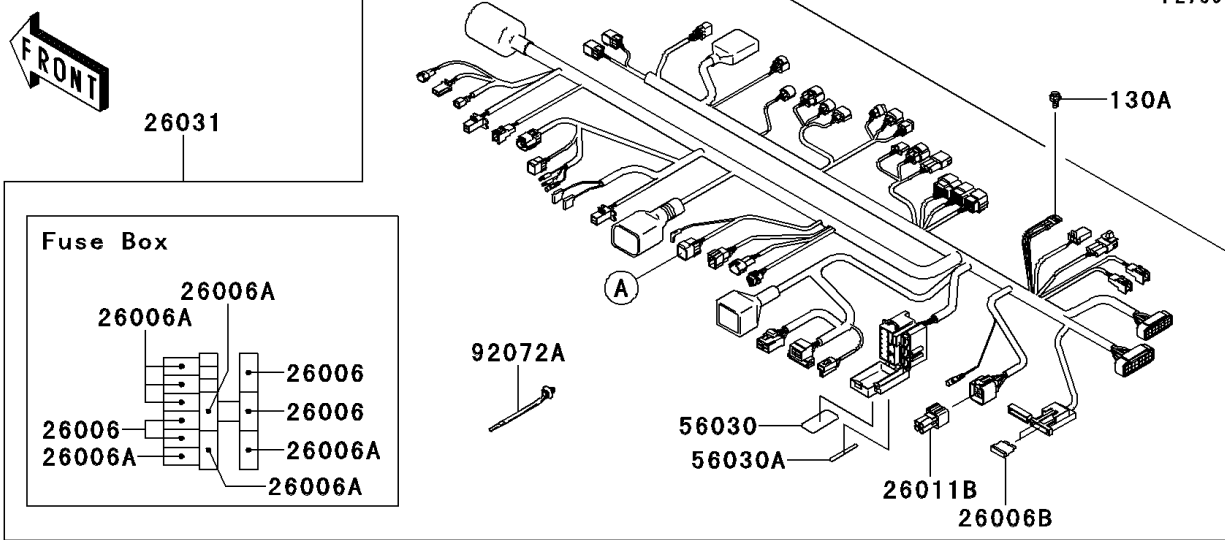


2010 Versys® PARTS DIAGRAM

Chassis Electrical Equipment

F2760



2010 Versys® PARTS LIST

Chassis Electrical Equipment

ITEM NAME	PART NUMBER	QUANTITY
FUSE,15A (Ref # 26006)	26006-0001	4
FUSE,10A (Ref # 26006A)	26006-1078	7
FUSE,5A (Ref # 26006B)	26006-1082	2
WIRE-LEAD,BATTERY(+) (Ref # 26011)	26011-0073	1
WIRE-LEAD,SENSOR CONNECTOR (Ref # 26011A)	26011-0101	1
WIRE-LEAD,CAP (Ref # 26011B)	26011-0271	1
WIRE-LEAD,BATTERY(-) (Ref # 26011C)	26011-0299	1
BATTERY,YTX12-BS,12V 10AH (Ref # 26012)	26012-0094	1
HARNESS,MAIN (Ref # 26031)	26031-0819	1
RELAY-ASSY (Ref # 27002)	27002-0007	1
RELAY-ASSY,SIGNAL LAMP (Ref # 27002A)	27002-1097	1
HORN (Ref # 27003)	27003-0051	1
LABEL,FUSE BOX (Ref # 56030)	56030-0346	1
LABEL,FUSE BOX (Ref # 56030A)	56030-0360	1
CLAMP,HOSE (Ref # 92037)	92037-1827	2
BAND,L=365 (Ref # 92072)	92072-1197	2
BAND (Ref # 92072A)	92072-1414	15
BOLT,SOCKET,6X14 (Ref # 92153)	92153-1446	1
CLAMP (Ref # 92170)	92170-1925	1
CLAMP,DIA=20 (Ref # 92171)	92171-0069	2
CLAMP,BRAKE HOSE (Ref # 92171A)	92171-0316	1
CLAMP,HARNESS (Ref # 92171B)	92171-0657	1
CLAMP,DIA=13 (Ref # 92171C)	92171-1415	1
CLAMP,DIA=15 (Ref # 92171D)	92171-1424	1
CLAMP,DIA=25 (Ref # 92171E)	92171-1559	1
CLAMP,FUSE BOX (Ref # 92173)	92173-0218	1
BOLT-FLANGED,6X10 (Ref # 130)	130BA0610	1
BOLT-FLANGED,6X12 (Ref # 130A)	130BA0612	1
BOLT-FLANGED-SMALL,8X12 (Ref # 132)	132BB0812	1