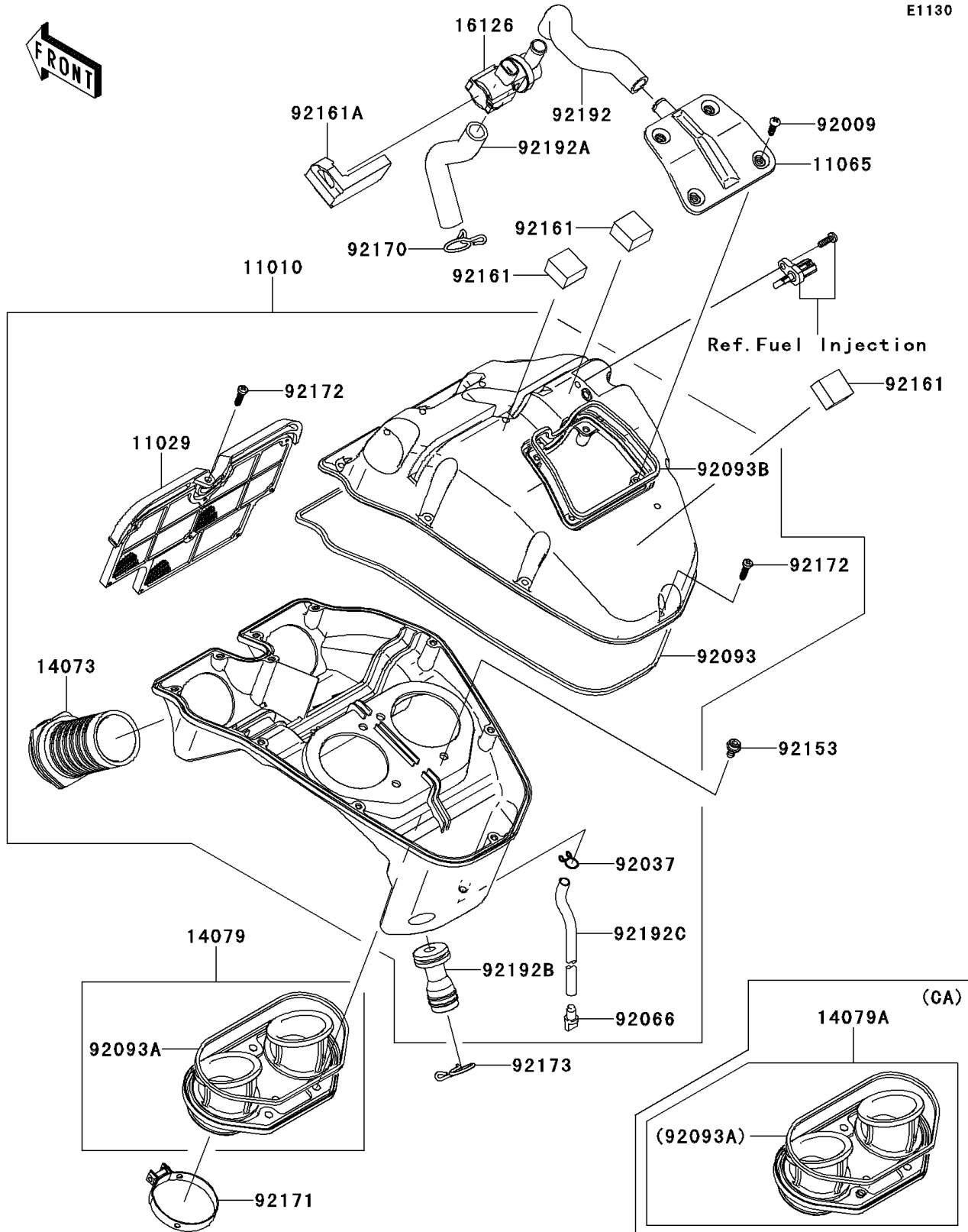


# 2012 VERSYS® PARTS DIAGRAM

Air Cleaner

E1130



## 2012 VERSYS® PARTS LIST

### Air Cleaner

ITEM NAME	PART NUMBER	QUANTITY
FILTER-ASSY-AIR (Ref # 11010)	11010-0153	1
ELEMENT-ASSY-AIR FILTER (Ref # 11029)	11029-0008	1
CAP,UPPER CASE (Ref # 11065)	11065-0120	1
DUCT (Ref # 14073)	14073-0110	2
HOLDER-ASSY (Ref # 14079A)	14079-0066	1
VALVE,AIR SWITING (Ref # 16126)	16126-0019	1
SCREW,TAPPING,5X16 (Ref # 92009)	92009-1984	4
CLAMP,TUBE (Ref # 92037)	92037-147	1
PLUG,DRAIN (Ref # 92066)	92066-1211	1
SEAL,L=1080 (Ref # 92093)	92093-0045	1
SEAL (Ref # 92093A)	92093-0046	1
SEAL,L=368 (Ref # 92093B)	92093-0048	1
BOLT,SOCKET,6X12 (Ref # 92153)	92153-0759	4
DAMPER,T=15 (Ref # 92161)	92161-0302	3
DAMPER (Ref # 92161A)	92161-0309	1
CLAMP (Ref # 92170)	92170-1017	1
CLAMP (Ref # 92171)	92171-0314	2
SCREW,TAPPING,5X20 (Ref # 92172)	92172-0009	11
CLAMP,22X2 (Ref # 92173)	92173-0001	1
TUBE,ASV-A/C (Ref # 92192)	92192-0231	1
TUBE,HEAD-ASV (Ref # 92192A)	92192-0232	1
TUBE,BREATHER (Ref # 92192B)	92192-0264	1
TUBE,DRAIN,6X9X280 (Ref # 92192C)	92192-0325	1