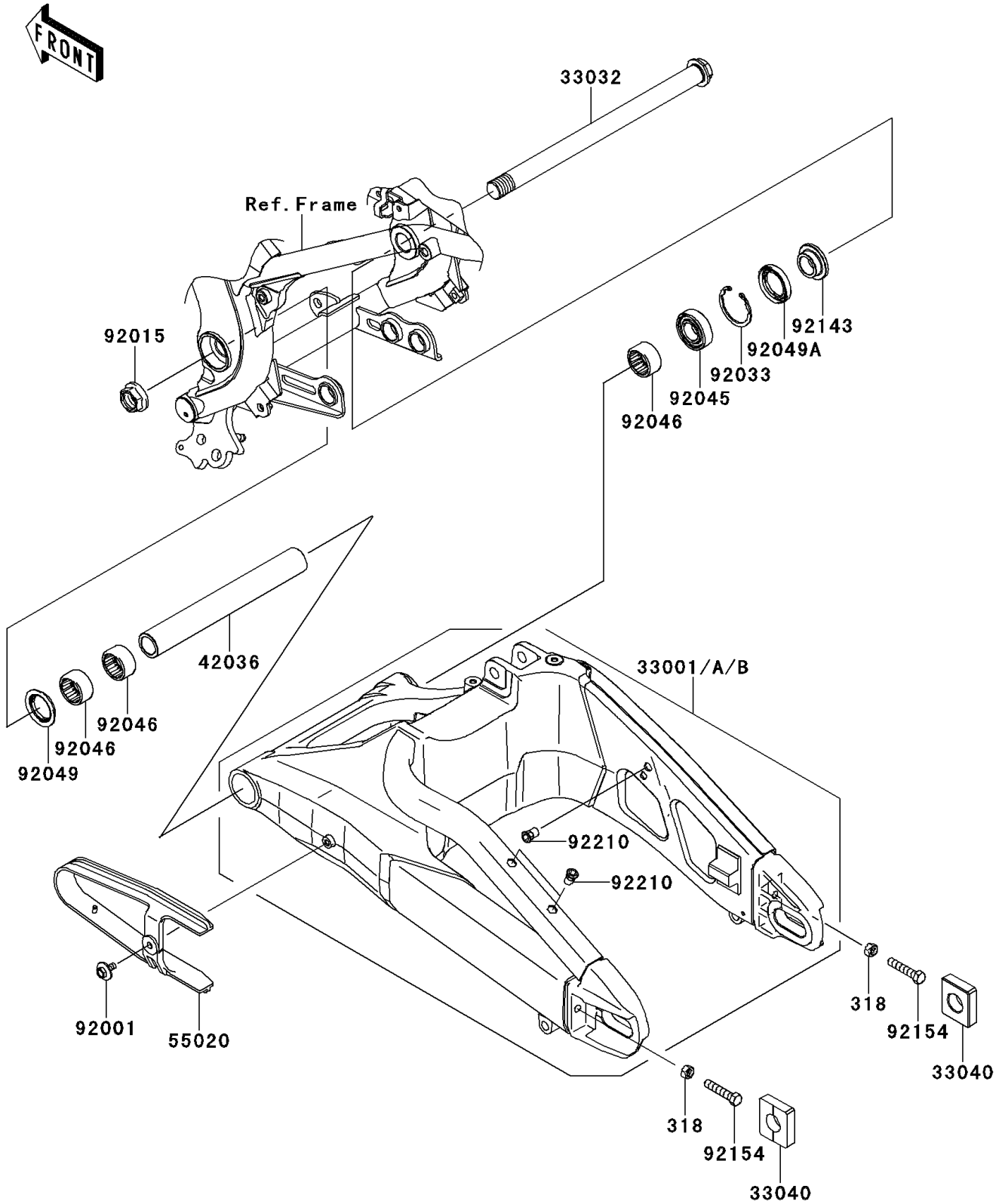


2012 VERSYS® PARTS DIAGRAM

Swingarm

F2141



2012 VERSYS® PARTS LIST

Swingarm

ITEM NAME	PART NUMBER	QUANTITY
ARM-COMP-SWING,P.SILVER (Ref # 33001B)	33001-0244-458	1
SHAFT-SWING ARM (Ref # 33032)	33032-1142	1
ADJUSTER-CHAIN (Ref # 33040)	33040-1109	2
SLEEVE,SWING ARM,L=219.5 (Ref # 42036)	42036-0066	1
GUARD,CHAIN (Ref # 55020)	55020-0234	1
BOLT,6X16 (Ref # 92001)	92001-1950	1
NUT,FLANGED,20MM (Ref # 92015)	92015-1724	1
RING-SNAP,42MM (Ref # 92033)	92033-1041	1
BEARING-BALL,6004UL11 (Ref # 92045)	92045-0017	1
BEARING-NEEDLE,7E-HVS 28X34X17 (Ref # 92046)	92046-0008	3
SEAL-OIL (Ref # 92049)	92049-0132	1
SEAL-OIL (Ref # 92049A)	92049-0138	1
COLLAR,SWING ARM,RH,L=12.5 (Ref # 92143)	92143-1727	1
BOLT,8X40 (Ref # 92154)	92154-0288	2
NUT,POP,6MM,L=15 (Ref # 92210)	92210-1397	3
NUT-HEX-SMALL,8MM (Ref # 318)	318BA0800	2