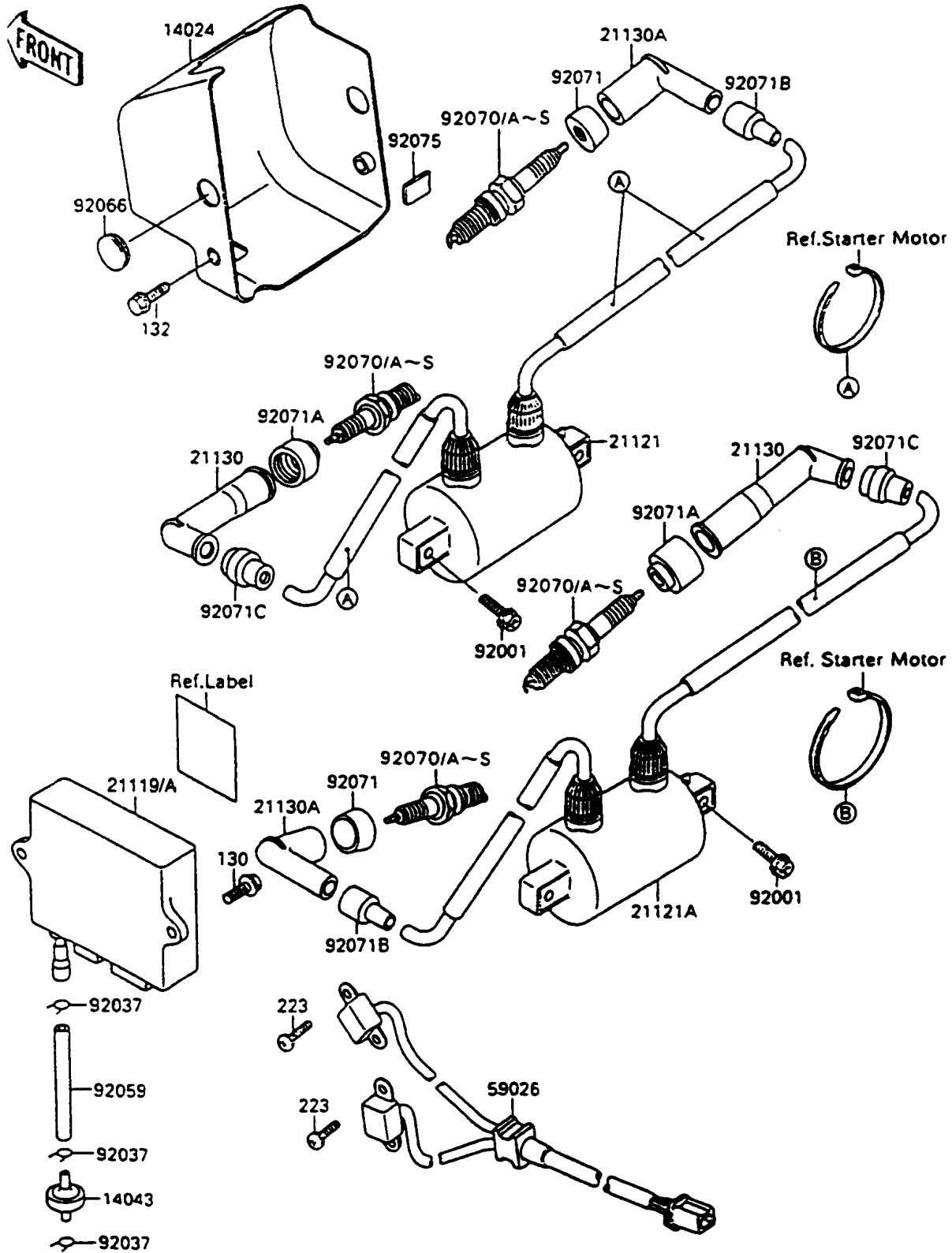


1993 Vulcan 88 PARTS DIAGRAM

Ignition System

E1830



1993 Vulcan 88 PARTS LIST

Ignition System

| ITEM NAME | PART NUMBER | QUANTITY |
|---|-------------|----------|
| COVER,IGNITION COIL (Ref # 14024) | 14024-1527 | 1 |
| FILTER (Ref # 14043) | 14043-1060 | 1 |
| IGNITER (Ref # 21119) | 21119-1217 | 1 |
| COIL-IGNITION,FR (Ref # 21121) | 21121-1154 | 1 |
| COIL-IGNITION,RR (Ref # 21121A) | 21121-1155 | 1 |
| CAP-SPARK PLUG (Ref # 21130) | 21130-1002 | 2 |
| CAP-SPARK PLUG (Ref # 21130A) | 21130-1003 | 2 |
| COIL-PULSING (Ref # 59026) | 59026-1085 | 1 |
| BOLT,6X20 (Ref # 92001) | 92001-1091 | 4 |
| CLAMP,TUBE (Ref # 92037) | 92037-1482 | 3 |
| TUBE,3X7X140 (Ref # 92059) | 92059-1687 | 1 |
| PLUG (Ref # 92066) | 92066-1286 | 2 |
| PLUG-SPARK,DPR8EA-9(NGK) (Ref # 92070A) | 92070-1065 | 4 |
| PLUG-SPARK,DP8EA-9(NGK) (Ref # 92070C) | 92070-1066 | 4 |
| PLUG-SPARK,X24EPR-U9(ND) (Ref # 92070E) | | 4 |
| PLUG-SPARK,X24EP-U9(ND) (Ref # 92070G) | | 4 |
| PLUG-SPARK,X22EP-U9(ND) (Ref # 92070H) | | 4 |
| BOLT-FLANGED,6X14 (Ref # 130) | 130G0614 | 2 |
| BOLT-FLANGED-SMALL (Ref # 132) | 132J0616 | 2 |
| SCREW-PAN-WS-CROS (Ref # 223) | 223B0516 | 4 |
| PLUG-SPARK,X22EPR-U9(ND) (Ref # 92070I) | | 4 |
| PLUG-SPARK,DP7EA9(NGK) (Ref # 92070J) | 92070-1124 | 4 |
| PLUG-SPARK,DPR7EA9(NGK) (Ref # 92070K) | 92070-1125 | 4 |
| PLUG-SPARK,DP6EA-9(NGK) (Ref # 92070M) | 92070-1136 | 4 |
| PLUG-SPARK,X20EP-U9(DN) (Ref # 92070O) | | 4 |
| PLUG-SPARK,DPR6EA9(NGK) (Ref # 92070Q) | 92070-1138 | 4 |
| PLUG-SPARK,X20EPR-U9(DN) (Ref # 92070S) | | 4 |
| GROMMET,SPARK PLUG CAP (Ref # 92071) | 92071-1015 | 2 |
| GROMMET,PLUG CAP (Ref # 92071A) | 92071-1124 | 2 |