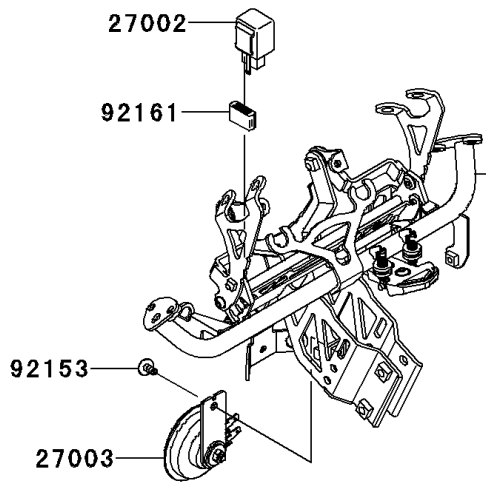
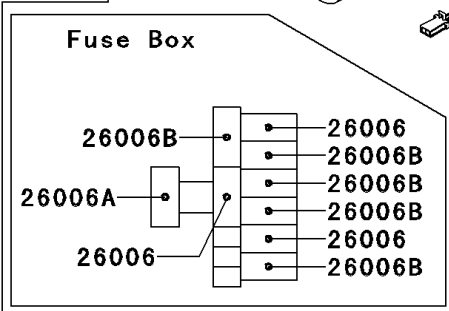
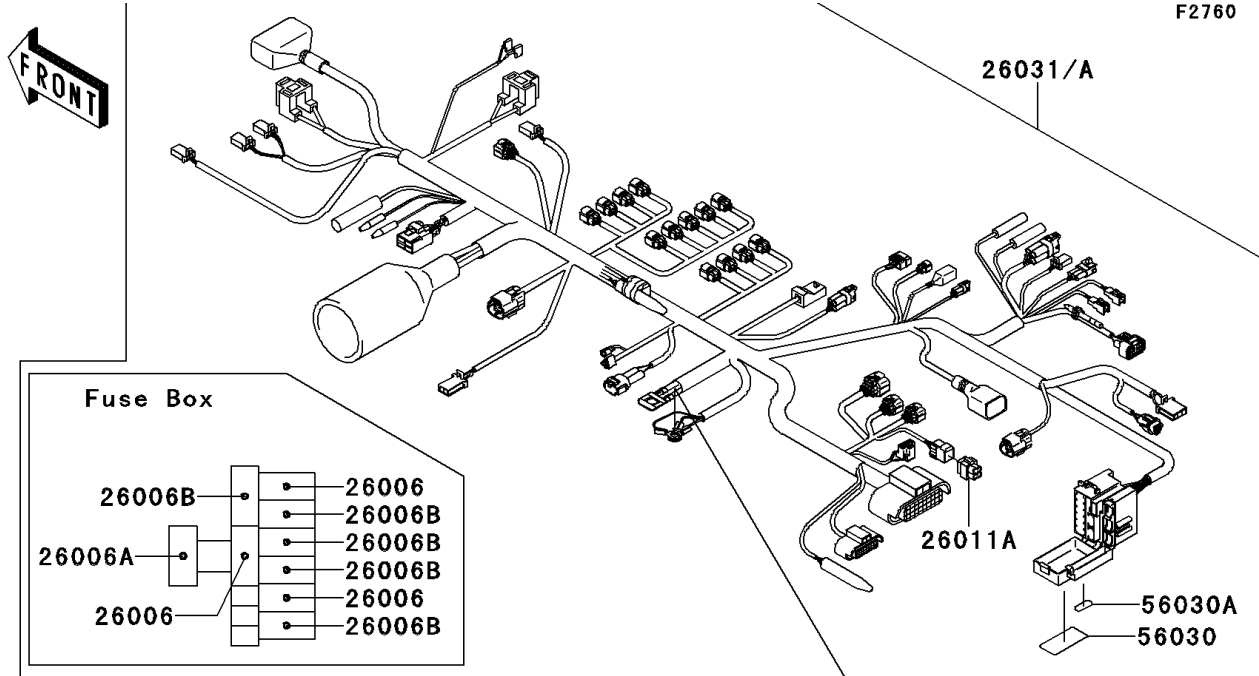
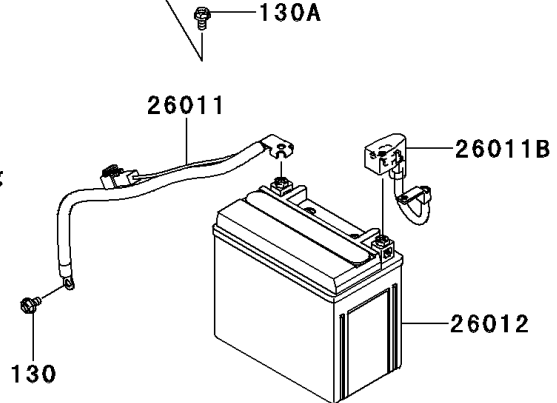


# 2013 NINJA® 1000 PARTS DIAGRAM

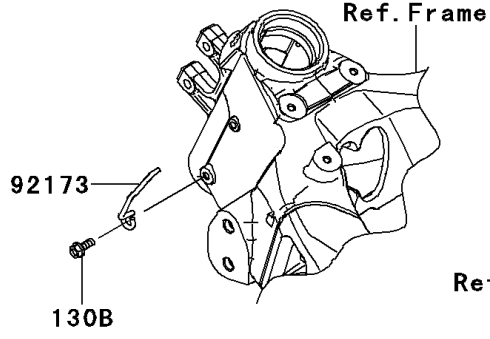
## Chassis Electrical Equipment



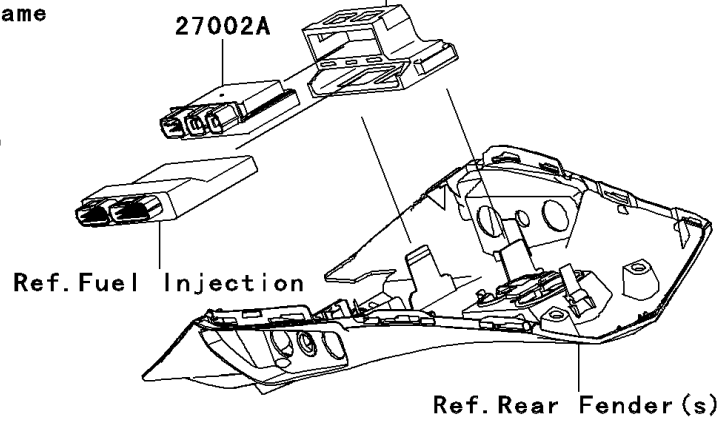
Ref. Cowling (Upper)



Ref. Fuel Injection



Ref. Frame



Ref. Fuel Injection

Ref. Rear Fender (s)

## 2013 NINJA® 1000 PARTS LIST

### Chassis Electrical Equipment

ITEM NAME	PART NUMBER	QUANTITY
FUSE,MINI BLADE,15A,BLUE (Ref # 26006)	26006-0001	3
FUSE,MINI BLADE,2A,GRAY (Ref # 26006A)	26006-0052	1
FUSE,MINI BLADE,10A,RED (Ref # 26006B)	26006-1078	5
WIRE-LEAD,BATTERY(-) (Ref # 26011)	26011-0253	1
WIRE-LEAD,CAP (Ref # 26011A)	26011-0271	1
WIRE-LEAD,BATTERY(+) (Ref # 26011B)	26011-0285	1
BATTERY,YTX9-BS,12V 8AH (Ref # 26012)	26012-0088	1
HARNESS,MAIN (Ref # 26031A)	26031-1480	1
RELAY-ASSY,SIGNAL LAMP (Ref # 27002)	27002-0006	1
RELAY-ASSY (Ref # 27002A)	27002-0007	1
HORN (Ref # 27003)	27003-0075	1
LABEL,FUSE BOX (Ref # 56030)	56030-0361	1
LABEL,FUSE BOX,2A (Ref # 56030A)	56030-0425	1
BOLT,SOCKET,6X12 (Ref # 92153)	92153-1948	1
DAMPER,SIGNAL RELAY (Ref # 92161)	92161-0283	1
CLAMP (Ref # 92173)	92173-0182	1
BOLT-FLANGED,6X10 (Ref # 130)	130BA0610	1
BOLT-FLANGED,6X12 (Ref # 130A)	130BA0612	1
BOLT-FLANGED,6X16 (Ref # 130B)	130BA0616	1