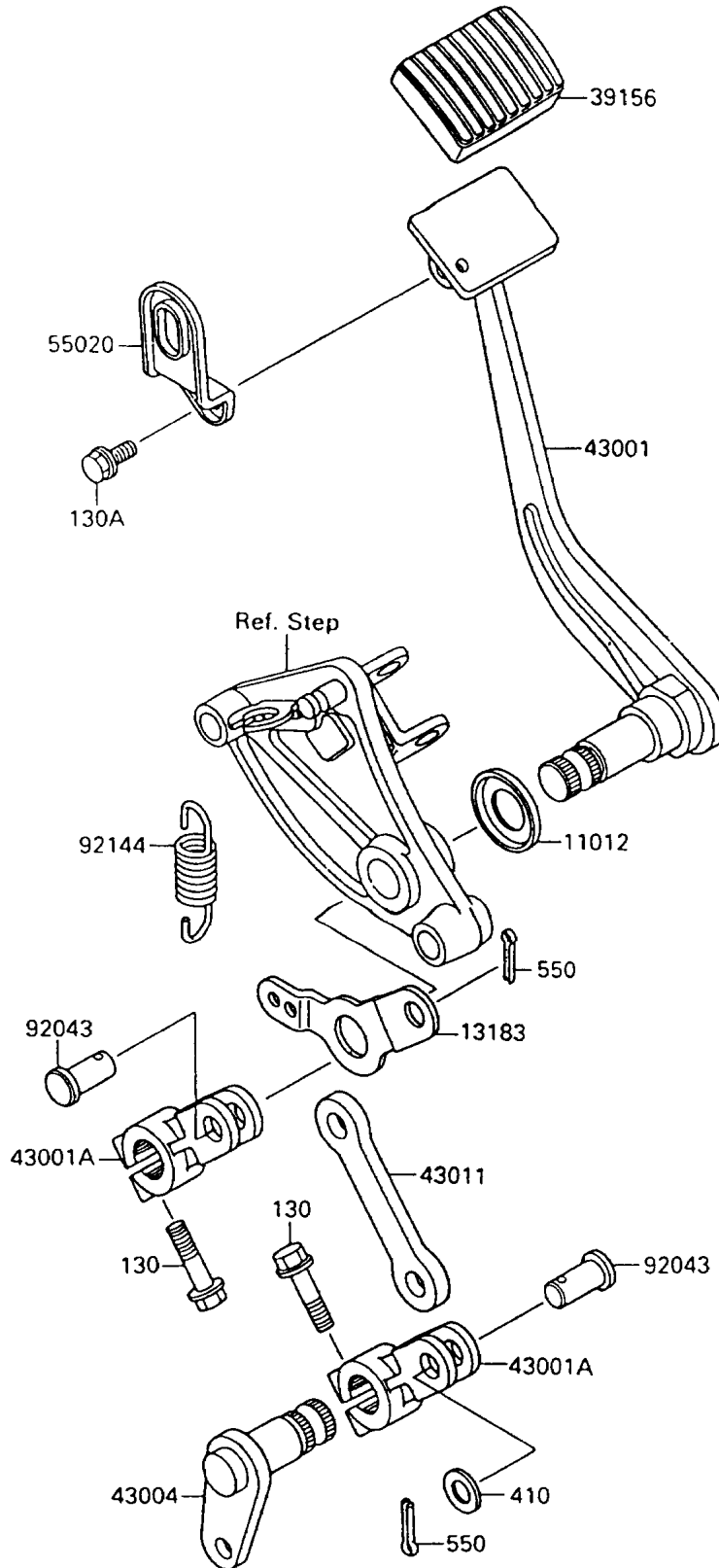


# 1995 Vulcan 88 PARTS DIAGRAM

Brake Pedal/Torque Link

F2260



## 1995 Vulcan 88 PARTS LIST

### Brake Pedal/Torque Link

| ITEM NAME                                 | PART NUMBER | QUANTITY |
|---|-------------|----------|
| BOLT-FLANGED,8X25,BLACK (Ref # 130)       | 130J0825    | 2        |
| BOLT-FLANGED,6X8 (Ref # 130A)             | 130N0608    | 1        |
| WASHER-PLAIN-SMALL,10MM,BLACK (Ref # 410) | 410F1000    | 1        |
| PIN-COTTER,2.0X15 (Ref # 550)             | 550D2015    | 2        |
| CAP,BRAKE PEDAL (Ref # 11012)             | 11012-1582  | 1        |
| PLATE,BRAKE PEDAL RETURN (Ref # 13183)    | 13183-1099  | 1        |
| PAD,BRAKE PEDAL (Ref # 39156)             | 39156-1071  | 1        |
| LEVER-BRAKE,PEDAL (Ref # 43001)           | 43001-1222  | 1        |
| LEVER-BRAKE,LINK (Ref # 43001A)           | 43001-1223  | 2        |
| SHAFT-BRAKE (Ref # 43004)                 | 43004-1121  | 1        |
| ROD-BRAKE (Ref # 43011)                   | 43011-1137  | 1        |
| GUARD,BRAKE PEDAL (Ref # 55020)           | 55020-1268  | 1        |
| PIN,10X20.5 (Ref # 92043)                 | 92043-1352  | 2        |
| SPRING,BRAKE PEDAL RETURN (Ref # 92144)   | 92144-1169  | 1        |