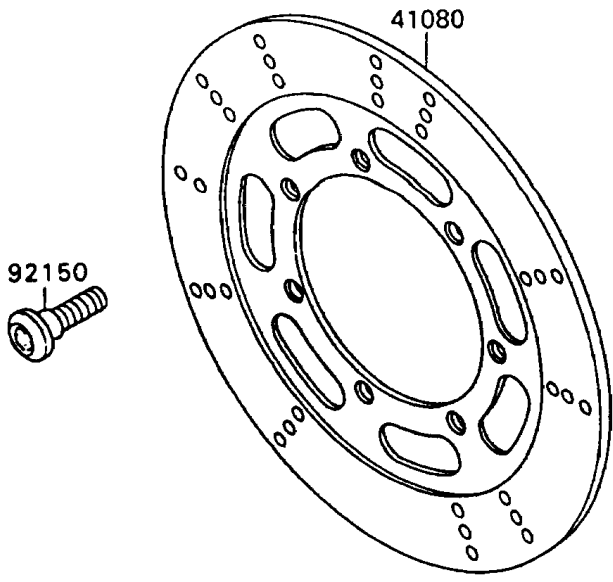
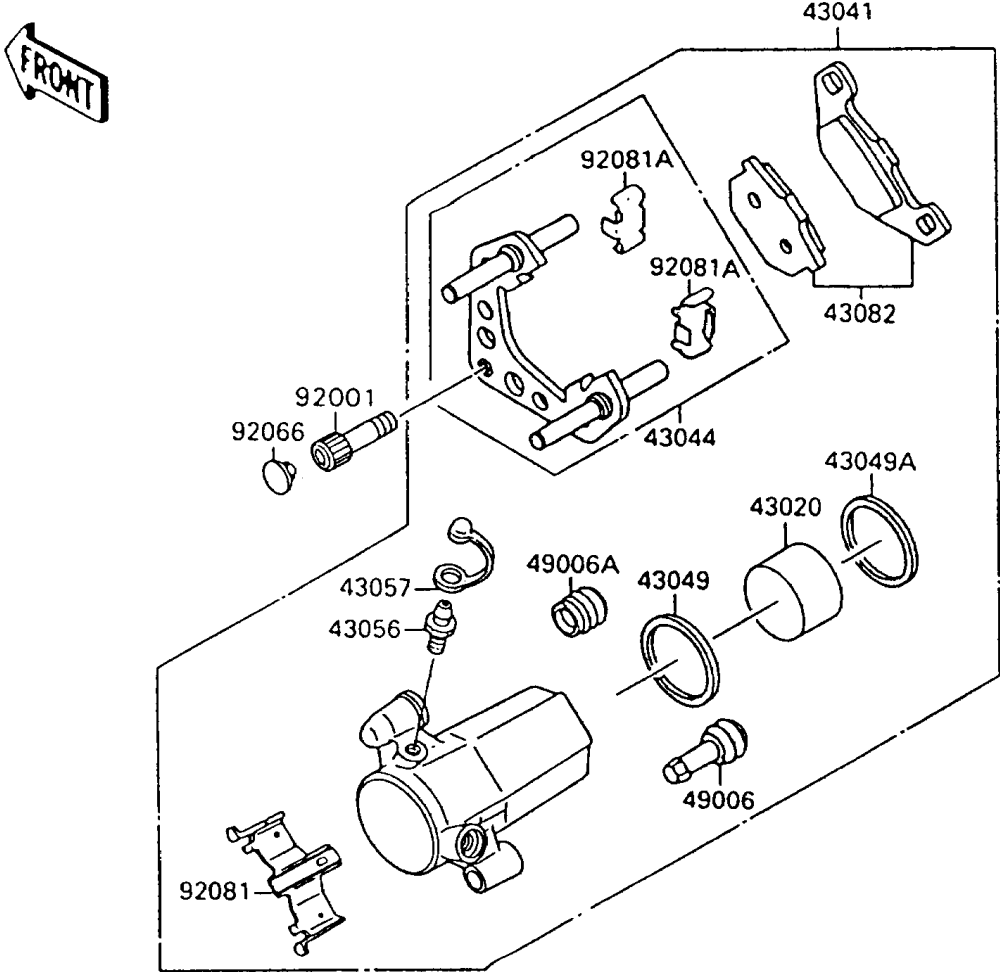


# 1993 Vulcan 88 PARTS DIAGRAM

Front Brake

F 2292



# 1993 Vulcan 88 PARTS LIST

## Front Brake

| ITEM NAME                               | PART NUMBER | QUANTITY |
|---|-------------|----------|
| DISC,FR (Ref # 41080)                   | 41080-1186  | 1        |
| PISTON-COMP-BRAKE (Ref # 43020)         | 43020-1066  | 1        |
| CALIPER-ASSY,FR,LH (Ref # 43041)        | 43041-1479  | 1        |
| HOLDER-COMP-CALIPER,FR,LH (Ref # 43044) | 43044-1102  | 1        |
| RING,PISTON SEAL (Ref # 43049)          | 43049-002   | 1        |
| PACKING,PISTON (Ref # 43049A)           | 43049-1028  | 1        |
| BREATHER (Ref # 43056)                  | 43056-003   | 1        |
| CAP-BREATHER (Ref # 43057)              | 43057-003   | 1        |
| PAD-ASSY-BRAKE (Ref # 43082)            | 43082-1029  | 1        |
| BOOT,CALIPER (Ref # 49006)              | 49006-1094  | 1        |
| BOOT,CALIPER (Ref # 49006A)             | 49006-1095  | 1        |
| BOLT,SOCKET,10X33 (Ref # 92001)         | 92001-1901  | 2        |
| PLUG (Ref # 92066)                      | 92066-1285  | 2        |
| SPRING,PAD (Ref # 92081)                | 92081-1525  | 1        |
| SPRING,PAD STOPPER (Ref # 92081A)       | 92081-1661  | 2        |
| BOLT,DISC PLATE,8X30 (Ref # 92150)      | 92150-1728  | 7        |