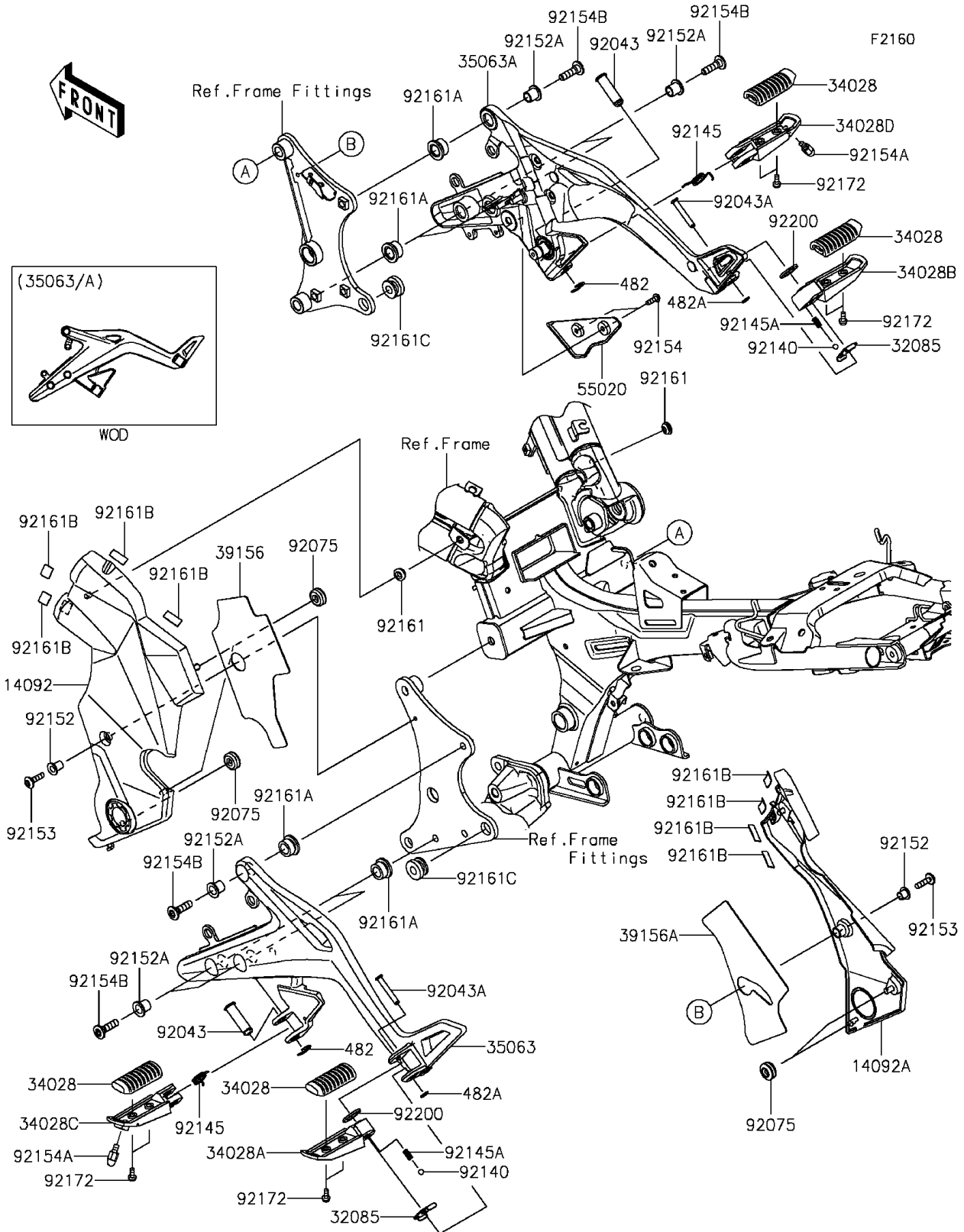


2015 Ninja® 650 PARTS DIAGRAM

Footrests



2015 Ninja® 650 PARTS LIST

Footrests

ITEM NAME	PART NUMBER	QUANTITY
COVER,PIVOT,LH (Ref # 14092)	14092-0738	1
COVER,PIVOT,RH (Ref # 14092A)	14092-0739	1
STOPPER,REAR STEP (Ref # 32085)	32085-0047	2
STEP,RUBBER (Ref # 34028)	34028-0133	4
STEP,RR,LH (Ref # 34028A)	34028-0314	1
STEP,RR,RH (Ref # 34028B)	34028-0315	1
STEP,FR,LH (Ref # 34028C)	34028-0327	1
STEP,FR,RH (Ref # 34028D)	34028-0328	1
STAY,STEP,LH,F.S.BLACK (Ref # 35063)	35063-0871-18R	1
STAY,STEP,RH,F.S.BLACK (Ref # 35063A)	35063-0872-18R	1
PAD,PIVOT COVER,LH (Ref # 39156)	39156-0817	1
PAD,PIVOT COVER,RH (Ref # 39156A)	39156-0818	1
GUARD,STEP STAY,RH (Ref # 55020)	55020-0742	1
PIN,12X37.5 (Ref # 92043)	92043-0026	2
PIN,6X40 (Ref # 92043A)	92043-0200	2
DAMPER (Ref # 92075)	92075-1067	5
BALL,6.35MM (Ref # 92140)	92140-0008	2
SPRING,STEP RETURN (Ref # 92145)	92145-0723	2
SPRING (Ref # 92145A)	92145-1319	2
COLLAR,6.8X10X15.1 (Ref # 92152)	92152-0975	2
COLLAR,10.6X13.8X15 (Ref # 92152A)	92152-0976	6
BOLT,SOCKET,6X23 (Ref # 92153)	92153-1267	2
BOLT,SOCKET,5X16 (Ref # 92154)	92154-0026	2
BOLT,BANK SENSOR (Ref # 92154A)	92154-0838	2
BOLT,SOCKET,8X30 (Ref # 92154B)	92154-0842	6
DAMPER (Ref # 92161)	92161-0631	2
DAMPER,14X26X13.9 (Ref # 92161A)	92161-0946	6
DAMPER,12X20X1 (Ref # 92161B)	92161-1407	8
DAMPER (Ref # 92161C)	92161-1523	2

2015 Ninja® 650 PARTS LIST

Footrests

ITEM NAME	PART NUMBER	QUANTITY
SCREW-PAN-WP-CROS,5X14 (Ref # 92172)	92172-0473	8
WASHER,16X26X2.3 (Ref # 92200)	92200-0772	2
CIRCLIP-TYPE-E,10MM (Ref # 482)	482EA0100	2
CIRCLIP-TYPE-E (Ref # 482A)	482EA5000	2