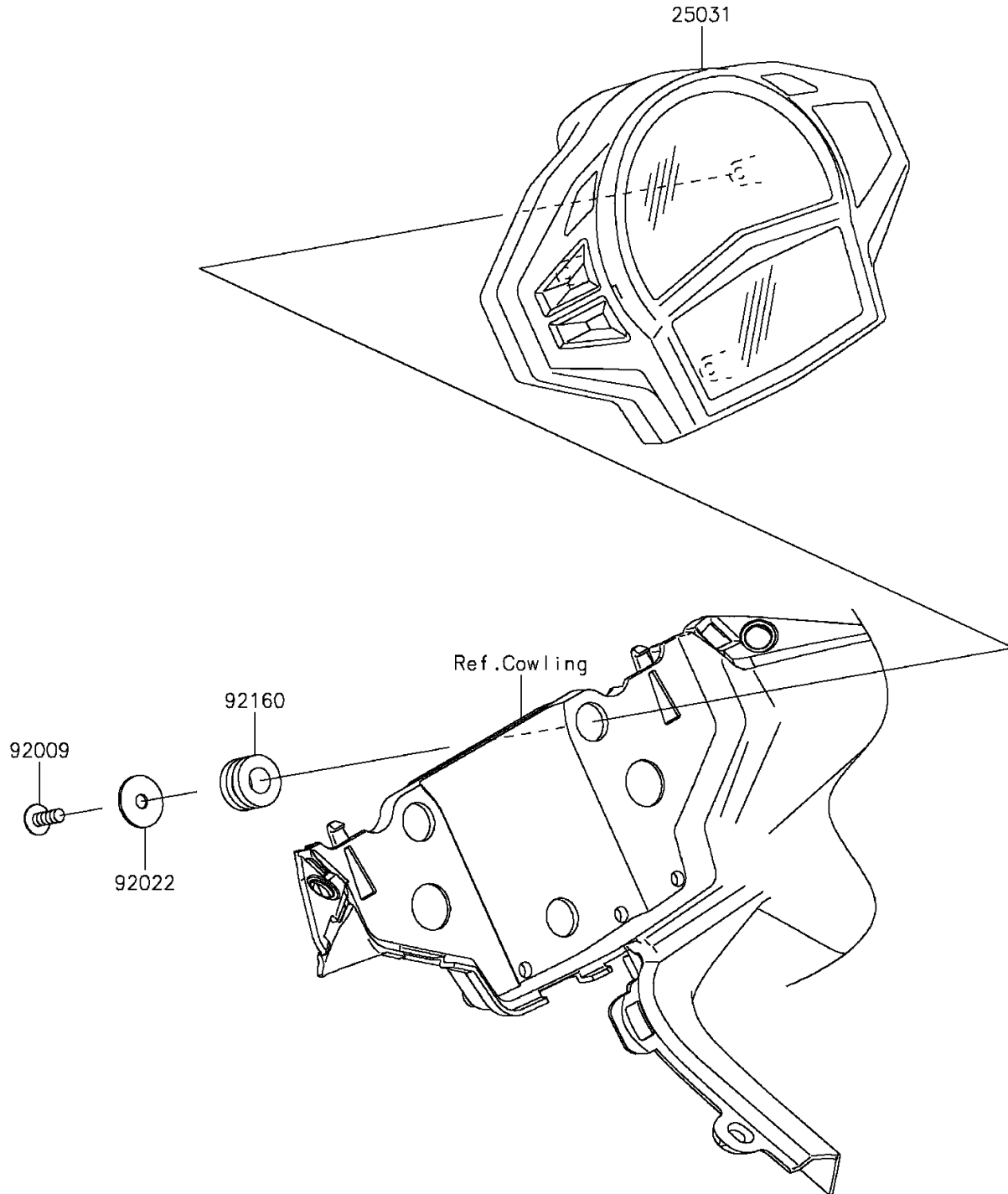


# 2014 NINJA® 650 PARTS DIAGRAM

Meter(s)

F2530



## 2014 NINJA® 650 PARTS LIST

Meter(s)

| ITEM NAME                          | PART NUMBER | QUANTITY |
|------------------------------------|-------------|----------|
| METER-ASSY,TACHO&LCD (Ref # 25031) | 25031-0443  | 1        |
| SCREW,TAPPING,5X14 (Ref # 92009)   | 92009-1197  | 3        |
| WASHER,5.5X20X1.2 (Ref # 92022)    | 92022-1405  | 3        |
| DAMPER,10X20X12 (Ref # 92160)      | 92160-1167  | 3        |