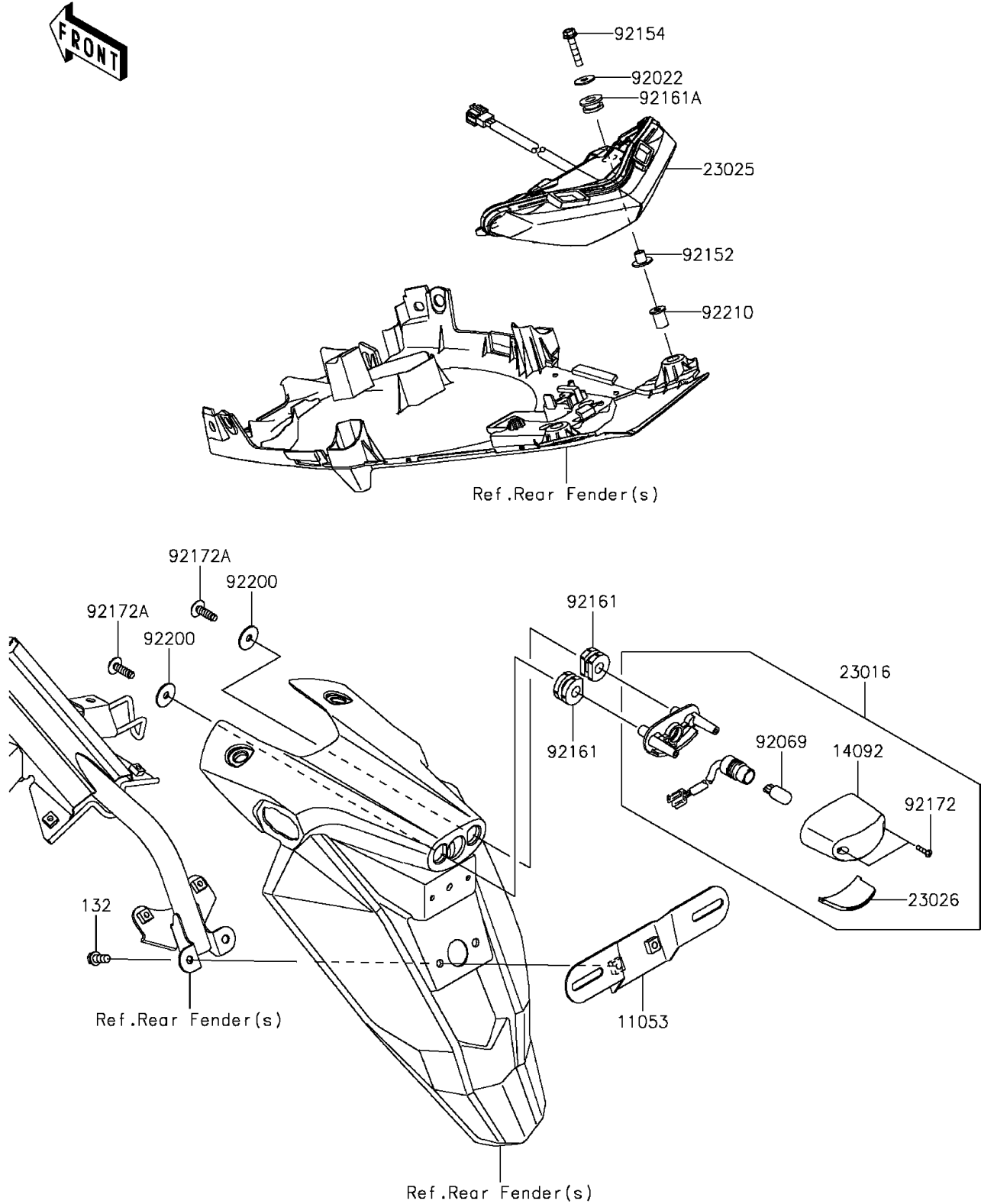


# 2015 Ninja® 650 PARTS DIAGRAM

Taillight(s)

F2720



## 2015 Ninja® 650 PARTS LIST

### Taillight(s)

| ITEM NAME                           | PART NUMBER | QUANTITY |
|-------------------------------------|-------------|----------|
| BRACKET,LICENSE (Ref # 11053)       | 11053-0400  | 1        |
| COVER,LICENSE LAMP (Ref # 14092)    | 14092-0001  | 1        |
| LAMP-ASSY,LICENSE (Ref # 23016)     | 23016-0559  | 1        |
| LAMP-TAIL (Ref # 23025)             | 23025-0307  | 1        |
| LENS,LICENSE LAMP (Ref # 23026)     | 23026-0015  | 1        |
| WASHER,5.2X16X1.2 (Ref # 92022)     | 92022-263   | 2        |
| BULB,12V 5W (Ref # 92069)           | 92069-1016  | 1        |
| COLLAR,5.6X8X9.3 (Ref # 92152)      | 92152-1527  | 2        |
| BOLT,FLANGED,5X25 (Ref # 92154)     | 92154-0846  | 2        |
| DAMPER (Ref # 92161)                | 92161-0776  | 2        |
| DAMPER,8X18X8.1 (Ref # 92161A)      | 92161-1369  | 2        |
| SCREW,TAPPING,2.9X13 (Ref # 92172)  | 92172-0343  | 2        |
| SCREW,TAPPING,5X16 (Ref # 92172A)   | 92172-0427  | 2        |
| WASHER,5.5X20X1.2 (Ref # 92200)     | 92200-0284  | 2        |
| NUT,WELL,5MM (Ref # 92210)          | 92210-0498  | 2        |
| BOLT-FLANGED-SMALL,6X14 (Ref # 132) | 132BA0614   | 2        |