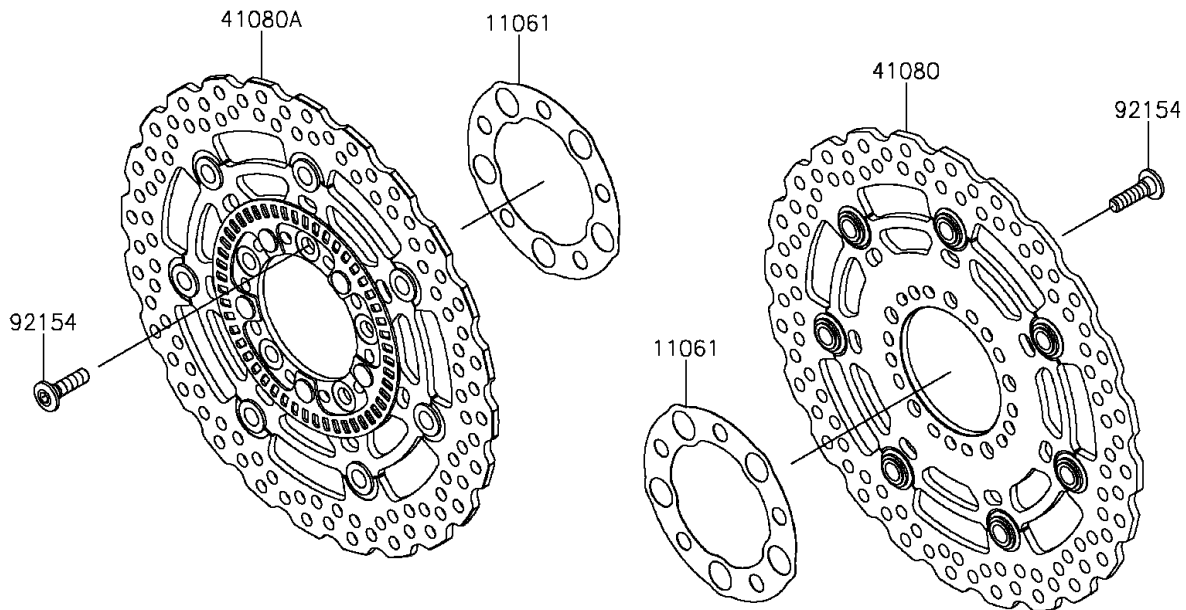
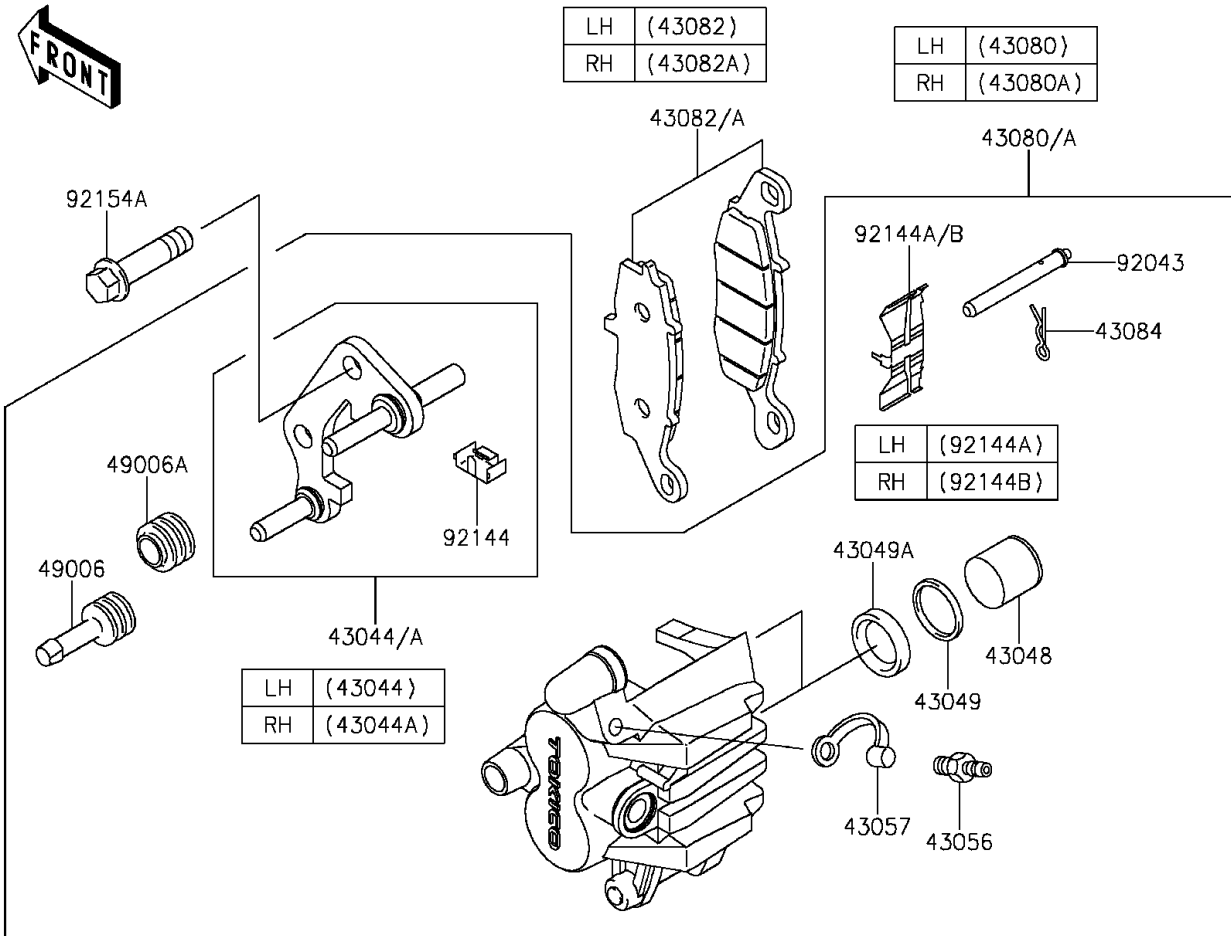


# 2016 Ninja® 650 ABS PARTS DIAGRAM

Front Brake

F2292



## 2016 Ninja® 650 ABS PARTS LIST

### Front Brake

ITEM NAME	PART NUMBER	QUANTITY
GASKET (Ref # 11061)	11061-0451	2
DISC,FR,HOUSING BLK+DISC BLK (Ref # 41080)	41080-0161-32L	1
DISC,FR,HOUSING BLK+DISC BLK (Ref # 41080A)	41080-0163-32L	1
HOLDER-COMP-CALIPER,FR,LH (Ref # 43044)	43044-1115	1
HOLDER-COMP-CALIPER,FR,RH (Ref # 43044A)	43044-1116	1
PISTON-CALIPER (Ref # 43048)	43048-1052	4
PACKING,PISTON (Ref # 43049)	43049-1055	4
PACKING,PISTON SEAL (Ref # 43049A)	43049-1096	4
BREATHER-BRAKE (Ref # 43056)	43056-0007	2
CAP-BREATHER (Ref # 43057)	43057-003	2
CALIPER-SUB-ASSY,FR,LH,BLACK (Ref # 43080)	43080-0076-DJ	1
CALIPER-SUB-ASSY,FR,RH,BLACK (Ref # 43080A)	43080-0077-DJ	1
PAD-ASSY-BRAKE,LH (Ref # 43082)	43082-0009	1
PAD-ASSY-BRAKE,RH (Ref # 43082A)	43082-0010	1
CLAMP,PAD (Ref # 43084)	43084-003	2
BOOT,CALIPER (Ref # 49006)	49006-1054	2
BOOT,CALIPER (Ref # 49006A)	49006-1095	2
PIN,PAD (Ref # 92043)	92043-1489	2
SPRING,STOPPER (Ref # 92144)	92144-1831	2
SPRING,PAD,LH (Ref # 92144A)	92144-1832	1
SPRING,PAD,RH (Ref # 92144B)	92144-1844	1
BOLT,SOCKET,8X30 (Ref # 92154)	92154-0844	10
BOLT,FLANGED,10X41 (Ref # 92154A)	92154-0845	4