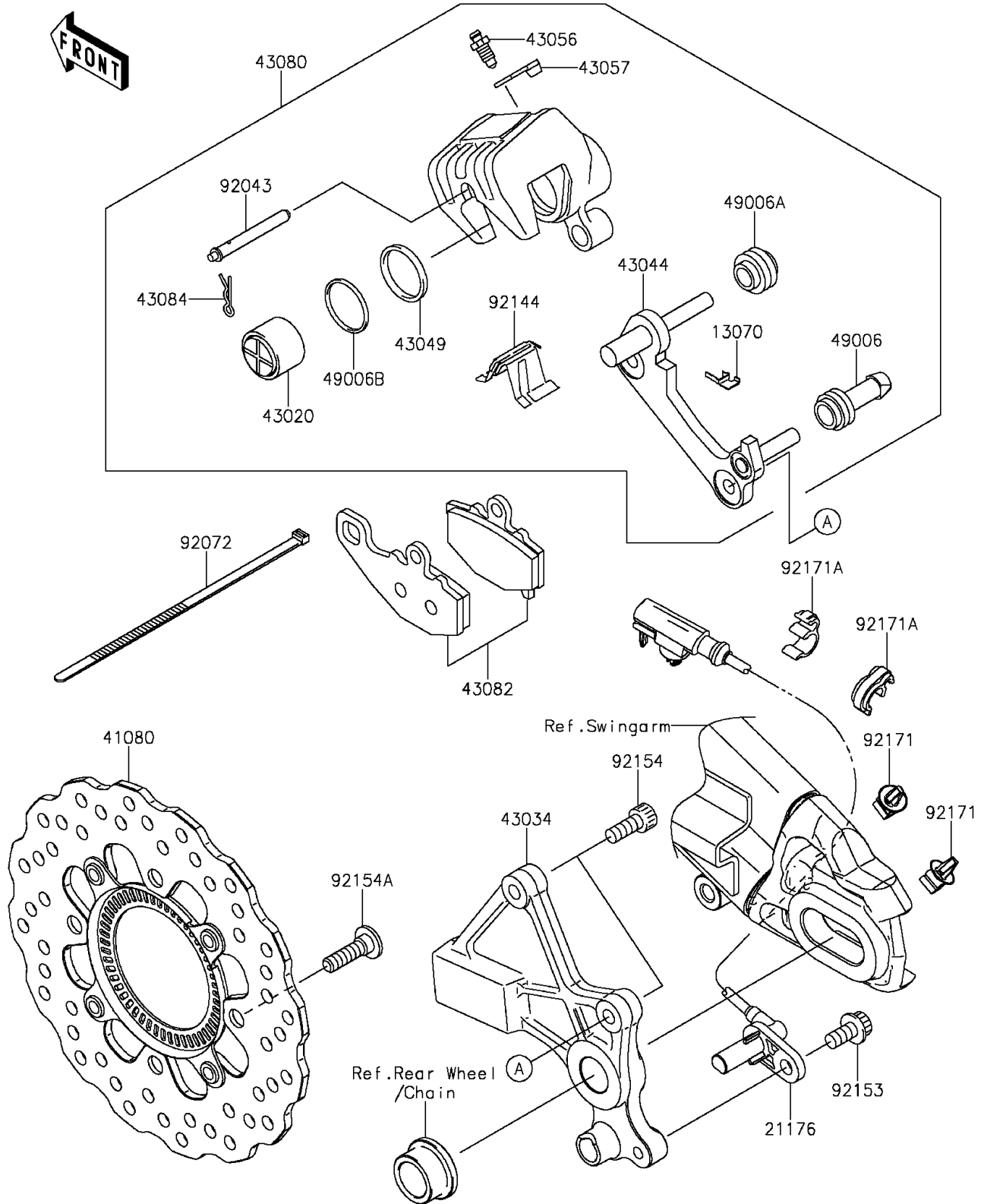


2013 NINJA® 650 ABS PARTS DIAGRAM

Rear Brake

F2294



2013 NINJA® 650 ABS PARTS LIST

Rear Brake

| ITEM NAME | PART NUMBER | QUANTITY |
|---|---------------|----------|
| GUIDE,BRAKE PAD (Ref # 13070) | 13070-0045 | 1 |
| SENSOR,RR,SPEED (Ref # 21176) | 21176-0703 | 1 |
| DISC,RR (Ref # 41080) | 41080-0164 | 1 |
| PISTON-COMP-BRAKE (Ref # 43020) | 43020-1119 | 1 |
| HOLDER-BRAKE,REAR CALIPER (Ref # 43034) | 43034-0035 | 1 |
| HOLDER-COMP-CALIPER,RR (Ref # 43044) | 43044-1110 | 1 |
| PACKING,PISTON SEAL (Ref # 43049) | 43049-1097 | 1 |
| BREATHER-BRAKE (Ref # 43056) | 43056-0007 | 1 |
| CAP-BREATHER (Ref # 43057) | 43057-003 | 1 |
| CALIPER-SUB-ASSY,RR,BLACK (Ref # 43080) | 43080-0085-DJ | 1 |
| PAD-ASSY-BRAKE (Ref # 43082) | 43082-1213 | 1 |
| CLAMP,PAD (Ref # 43084) | 43084-003 | 1 |
| BOOT,CALIPER (Ref # 49006) | 49006-1054 | 1 |
| BOOT,CALIPER (Ref # 49006A) | 49006-1095 | 1 |
| BOOT,PISTON SEAL (Ref # 49006B) | 49006-1212 | 1 |
| PIN,PAD (Ref # 92043) | 92043-1489 | 1 |
| BAND,L=202 (Ref # 92072) | 92072-1195 | 1 |
| SPRING,PAD (Ref # 92144) | 92144-1719 | 1 |
| BOLT,SOCKET,8X16 (Ref # 92153) | 92153-0327 | 1 |
| BOLT,SOCKET,8X20 (Ref # 92154) | 92154-0841 | 2 |
| BOLT,SOCKET,8X30 (Ref # 92154A) | 92154-0844 | 4 |
| CLAMP (Ref # 92171) | 92171-0640 | 2 |
| CLAMP,BRAKE HOSE (Ref # 92171A) | 92171-1819 | 2 |