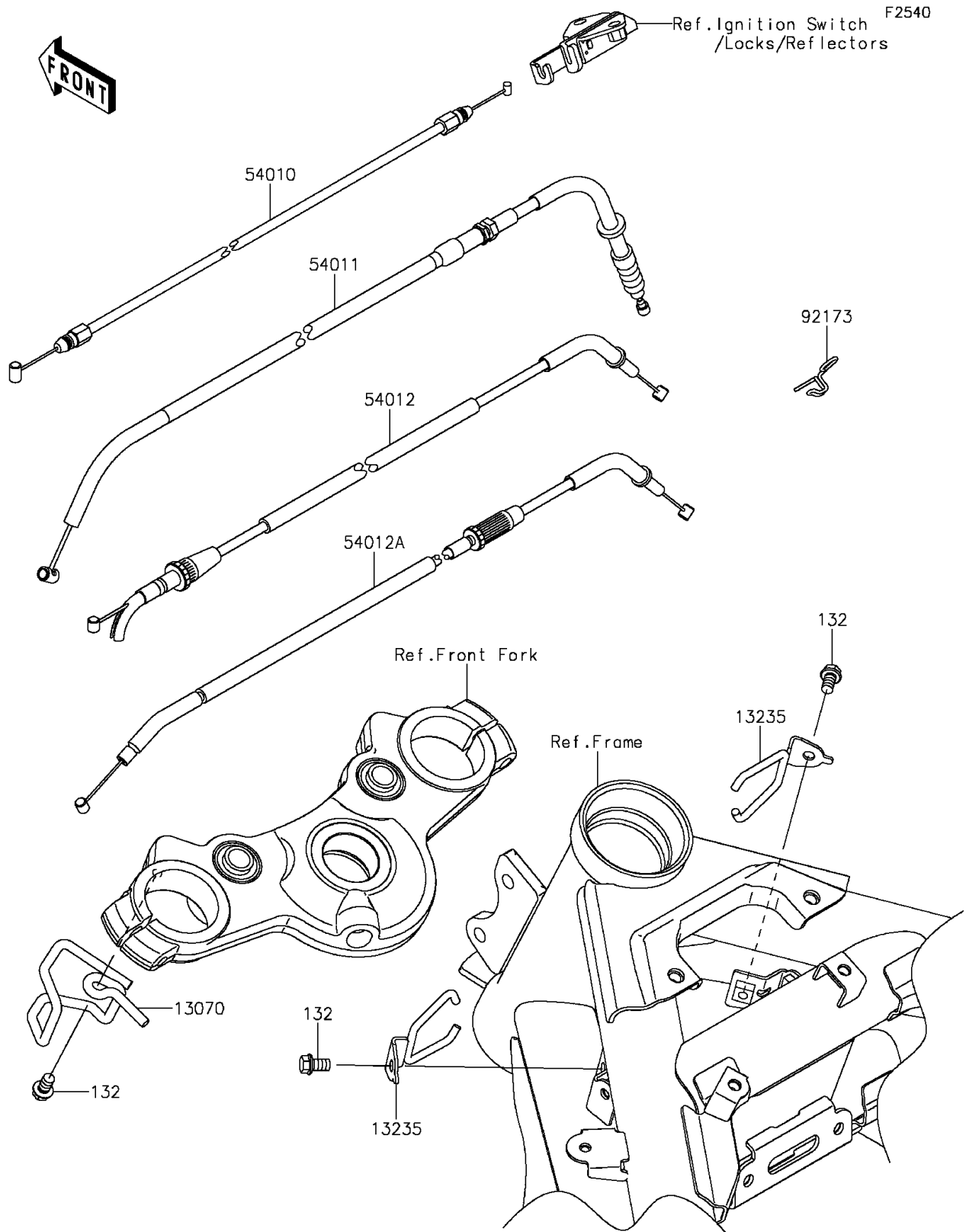


# 2015 Ninja® 650 ABS PARTS DIAGRAM

Cables



## 2015 Ninja® 650 ABS PARTS LIST

### Cables

ITEM NAME	PART NUMBER	QUANTITY
GUIDE,CABLE (Ref # 13070)	13070-0735	1
GUIDE-COMP,CABLE (Ref # 13235)	13235-0552	2
CABLE,SEAT LOCK (Ref # 54010)	54010-0569	1
CABLE-CLUTCH (Ref # 54011)	54011-0570	1
CABLE-THROTTLE,OPENING (Ref # 54012)	54012-0240	1
CABLE-THROTTLE,CLOSING (Ref # 54012A)	54012-0241	1
CLAMP,THROTTLE CABLE (Ref # 92173)	92173-0727	1
BOLT-FLANGED-SMALL,6X10 (Ref # 132)	132BA0610	3