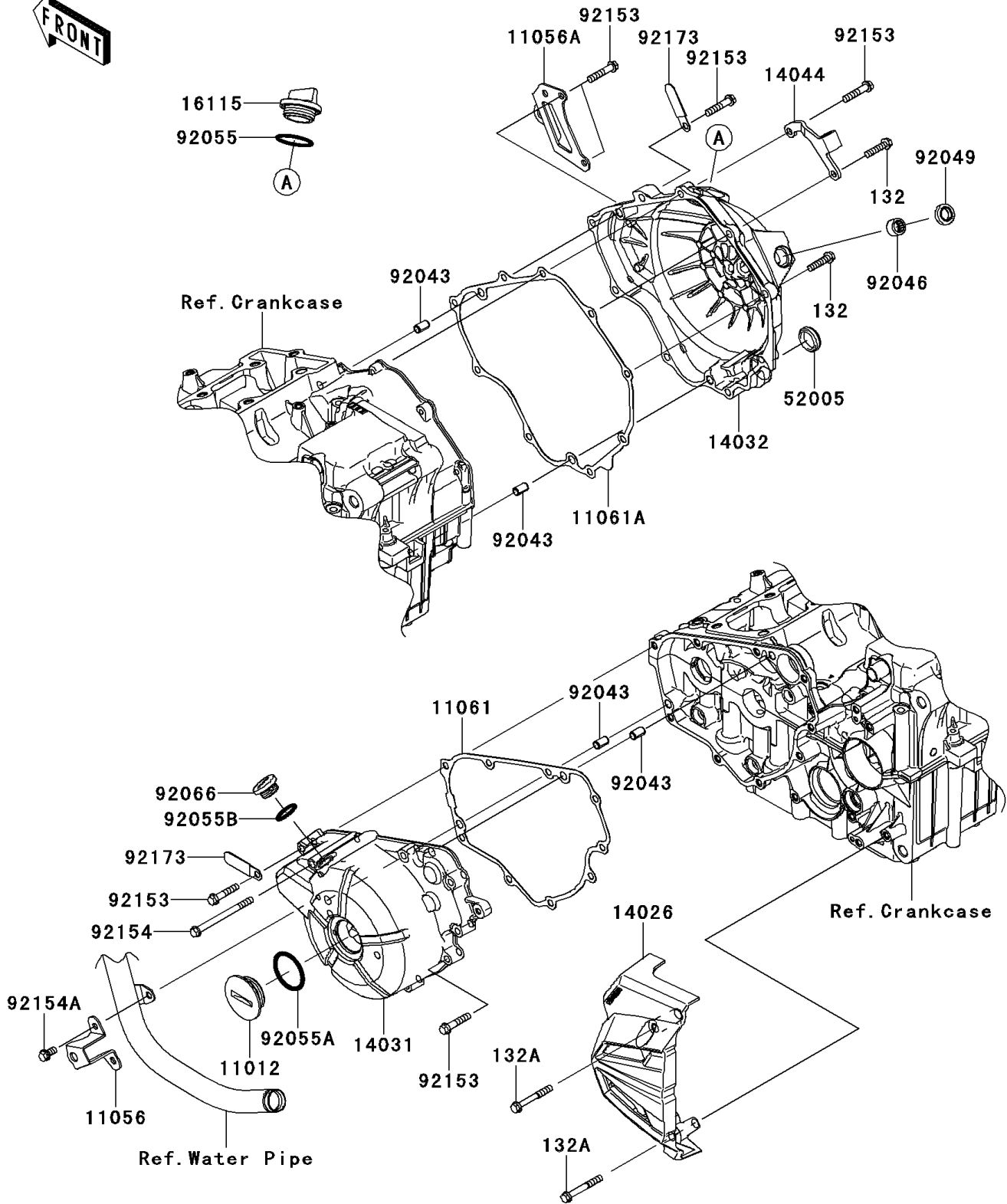


# 2014 Ninja® 300 PARTS DIAGRAM

Engine Cover(s)

E1431



## 2014 Ninja® 300 PARTS LIST

### Engine Cover(s)

| ITEM NAME                             | PART NUMBER | QUANTITY |
|---------------------------------------|-------------|----------|
| CAP (Ref # 11012)                     | 11012-1362  | 1        |
| BRACKET (Ref # 11056)                 | 11056-1637  | 1        |
| BRACKET (Ref # 11056A)                | 11056-1638  | 1        |
| GASKET,GENERATOR COVER (Ref # 11061)  | 11061-0793  | 1        |
| GASKET,CLUTCH COVER (Ref # 11061A)    | 11061-0854  | 1        |
| COVER-CHAIN (Ref # 14026)             | 14026-0096  | 1        |
| COVER-GENERATOR (Ref # 14031)         | 14031-0562  | 1        |
| COVER-CLUTCH (Ref # 14032)            | 14032-0579  | 1        |
| HOLDER-CABLE (Ref # 14044)            | 14044-0049  | 1        |
| CAP-OIL FILLER (Ref # 16115)          | 16115-1068  | 1        |
| GAUGE,OIL LEVEL (Ref # 52005)         | 52005-1009  | 1        |
| PIN,6.2X8X14 (Ref # 92043)            | 92043-1263  | 4        |
| BEARING-NEEDLE,HK1210FM (Ref # 92046) | 92046-0034  | 1        |
| SEAL-OIL (Ref # 92049)                | 92049-1560  | 1        |
| RING-O,31.5X2.6 (Ref # 92055)         | 92055-049   | 1        |
| RING-O,39.4X3.1 (Ref # 92055A)        | 92055-0734  | 1        |
| RING-O,20X2 (Ref # 92055B)            | 92055-1146  | 1        |
| PLUG (Ref # 92066)                    | 92066-0748  | 1        |
| BOLT,6X30 (Ref # 92153)               | 92153-0832  | 15       |
| BOLT,FLANGED-SMALL,6X75 (Ref # 92154) | 92154-0960  | 1        |
| BOLT,FLANGED,6X12 (Ref # 92154A)      | 92154-1140  | 2        |
| CLAMP,L=45 (Ref # 92173)              | 92173-0194  | 2        |
| BOLT-FLANGED-SMALL,6X25 (Ref # 132)   | 132BB0625   | 2        |
| BOLT-FLANGED-SMALL,6X45 (Ref # 132A)  | 132BB0645   | 2        |