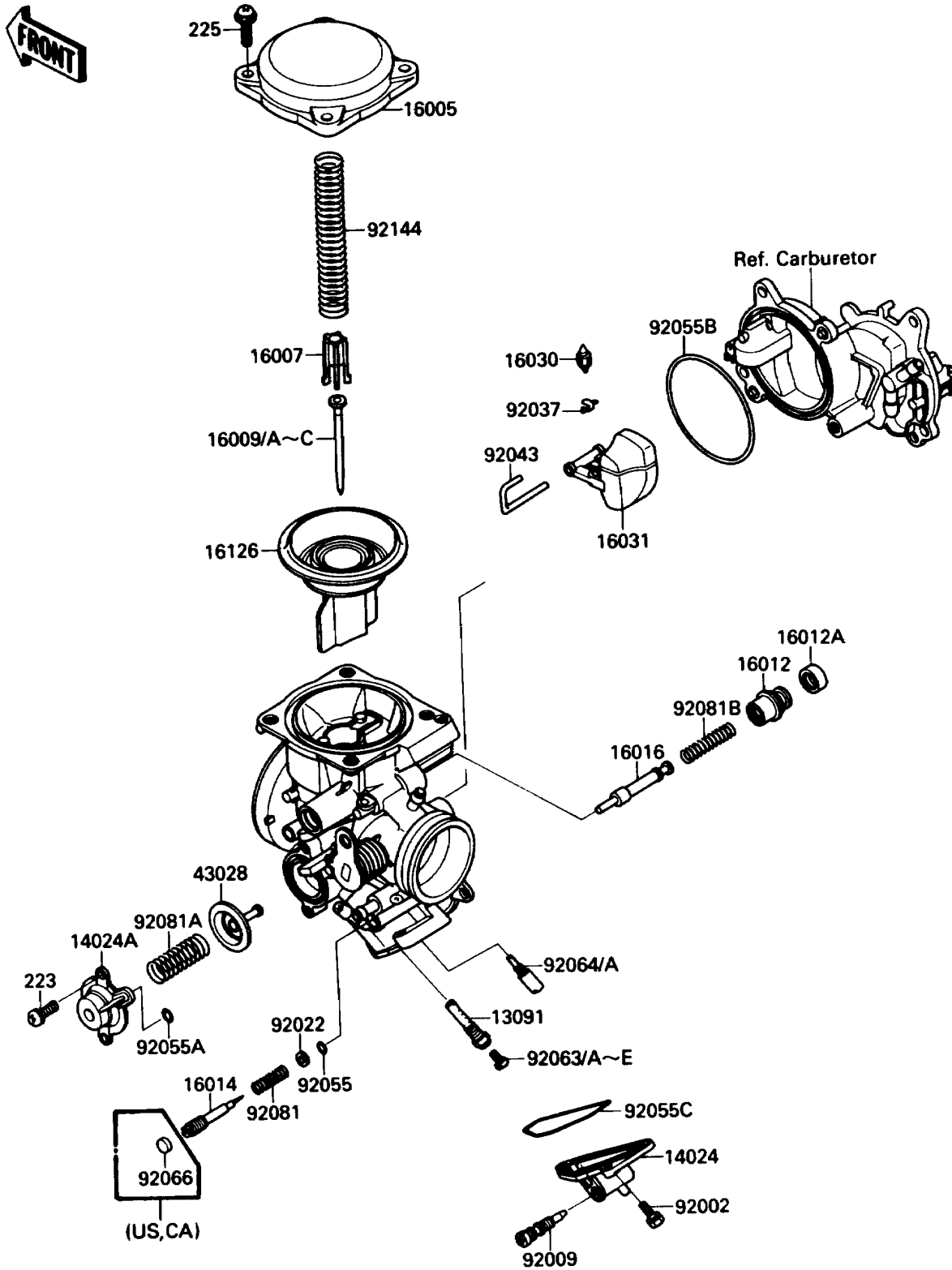


# 1989 Vulcan 88 SE PARTS DIAGRAM

Carburetor Parts

E1612-0118



# 1989 Vulcan 88 SE PARTS LIST

## Carburetor Parts

ITEM NAME	PART NUMBER	QUANTITY
HOLDER,NEEDLE JET (Ref # 13091)	13091-1513	2
COVER,DRAIN (Ref # 14024)	14024-1608	2
COVER,AIR CUT VALVE (Ref # 14024A)	14025-1903	2
TOP-CHAMBER,MIXING (Ref # 16005)	16005-1054	2
SEAT-SPRING,VALVE (Ref # 16007)	16007-1117	2
NEEDLE-JET,RR,N36Q (Ref # 16009)	16009-1369	1
NEEDLE-JET,FR,N36P (Ref # 16009A)	16009-1370	1
CAP-STARTER PLUNGER (Ref # 16012)	16012-1051	2
CAP-STARTER PLUNGER (Ref # 16012A)	16012-1052	2
SCREW-PILOT AIR (Ref # 16014)	16014-1054	2
PLUNGER (Ref # 16016)	16016-1071	2
VALVE-FLOAT (Ref # 16030)	16030-1007	2
FLOAT (Ref # 16031)	16031-1066	2
VALVE,VACUUM (Ref # 16126)	16126-1203	2
DIAPHRAGM,AIR CUT VALVE (Ref # 43028)	43028-1053	2
BOLT,4X14 (Ref # 92002)	92002-1761	4
SCREW,DRAIN,M6X1.0 (Ref # 92009)	92009-1434	2
WASHER,PLAIN (Ref # 92022)	92022-1003	2
CLAMP,FLOAT VALVE (Ref # 92037)	16044-007	2
PIN,FLOAT (Ref # 92043)	92043-1285	2
RING-O,PILOT ADJUST (Ref # 92055)	92055-1002	2
RING-O (Ref # 92055A)	92055-1245	2
RING-O (Ref # 92055B)	92055-1291	2
RING-O,DRAIN COVER (Ref # 92055C)	92055-1400	2
JET-MAIN,#135 (Ref # 92063)	92063-1014	2
JET-MAIN,#138 (Ref # 92063A)	92063-1015	2
JET-MAIN,2ND,#125 (Ref # 92063B)	92063-1069	2
JET-MAIN,2ND,#128 (Ref # 92063C)	92063-1074	2
JET-MAIN,#130 (Ref # 92063D)	92063-1075	1

# 1989 Vulcan 88 SE PARTS LIST

## Carburetor Parts

ITEM NAME	PART NUMBER	QUANTITY
JET-MAIN,#132 (Ref # 92063E)	92063-1076	1
JET-PILOT,#42 (Ref # 92064)	92064-1135	2
JET-PILOT,#40 (Ref # 92064A)	92064-1136	2
SPRING,PILOT ADJUST SCREW (Ref # 92081)	92081-1002	2
SPRING,AIR CUT VALVE (Ref # 92081A)	92081-1719	2
SPRING,STARTER PLUNGER (Ref # 92081B)	92081-1761	2
SPRING,VACUUM VALVE (Ref # 92144)	92144-1219	2
SCREW-PAN-WS-CROS (Ref # 223)	223D0408	4
SCREW-PAN-WSP-CROS (Ref # 225)	225C0418	6