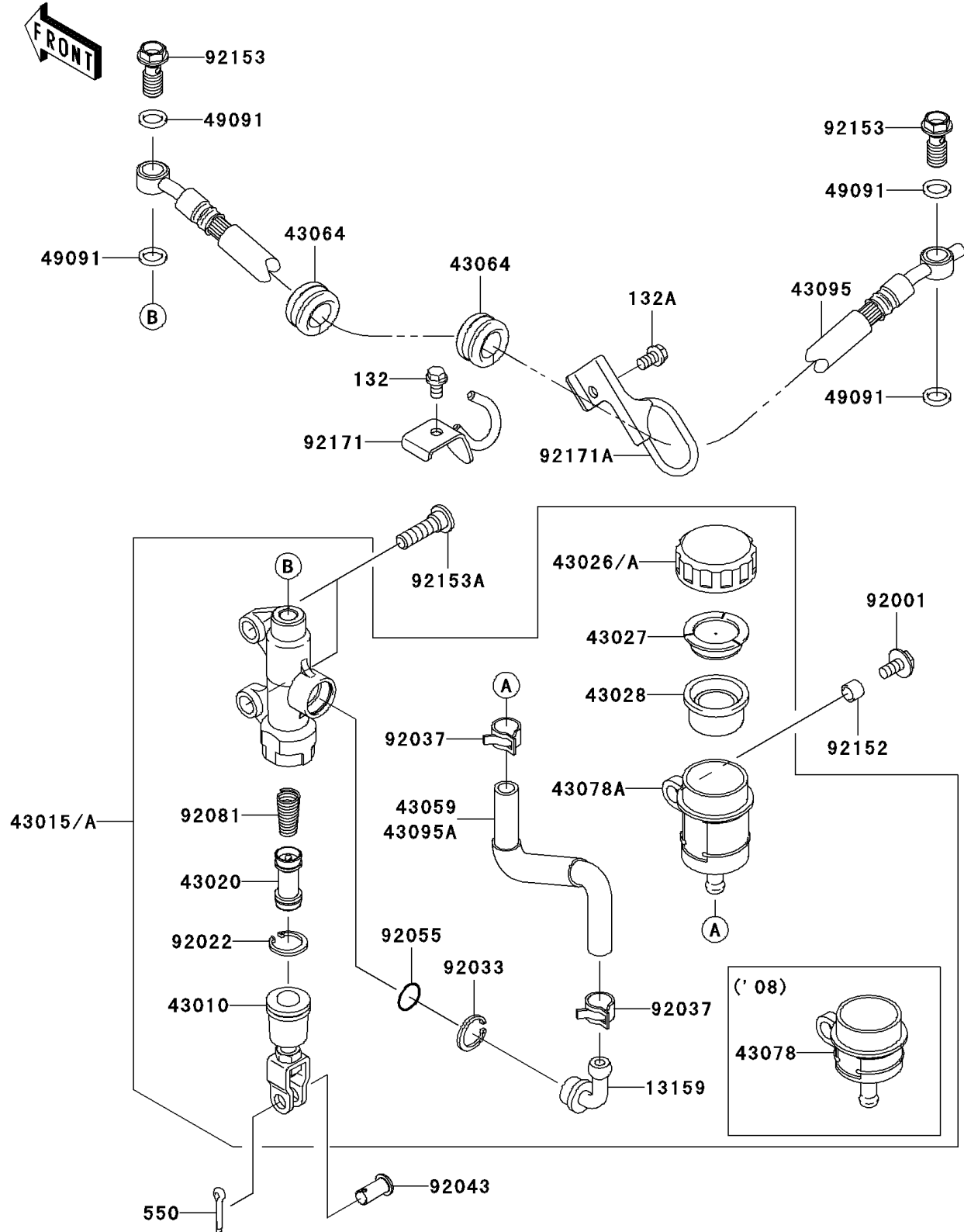


# 2008 KLR™ 650 PARTS DIAGRAM

## Rear Master Cylinder

F2293



## 2008 KLR™ 650 PARTS LIST

### Rear Master Cylinder

| ITEM NAME                               | PART NUMBER    | QUANTITY |
|---|----------------|----------|
| BOLT-FLANGED-SMALL,6X10 (Ref # 132)     | 132BA0610      | 1        |
| BOLT-FLANGED-SMALL,6X10 (Ref # 132A)    | 132BB0610      | 1        |
| PIN-COTTER,2.0X15 (Ref # 550)           | 550AA2015      | 1        |
| CONNECTOR (Ref # 13159)                 | 13159-1056     | 1        |
| ROD-ASSY-BRAKE (Ref # 43010)            | 43010-1074     | 1        |
| CYLINDER-ASSY-MASTER,RR (Ref # 43015)   | 43015-0100     | 1        |
| PISTON-COMP-BRAKE (Ref # 43020)         | 43020-1057     | 1        |
| CAP-BRAKE (Ref # 43026A)                | 43026-1064     | 1        |
| PLATE-DIAPHRAGM (Ref # 43027)           | 43027-1053     | 1        |
| DIAPHRAGM (Ref # 43028)                 | 43028-1065     | 1        |
| HOSE-BRAKE (Ref # 43059)                | 43059-1408     | 1        |
| GROMMET,HOSE CLAMP (Ref # 43064)        | 43064-007      | 2        |
| RESERVOIR (Ref # 43078)                 | 43078-0046     | 1        |
| HOSE-BRAKE,RR (Ref # 43095)             | 43095-0256     | 1        |
| WASHER-SEAL,10.1X14.5X1.5 (Ref # 49091) | 49091-0001     | 4        |
| BOLT,W/P,6X16 (Ref # 92001)             | 92001-1860     | 1        |
| WASHER,CIRCRIP (Ref # 92022)            | 92022-1601     | 1        |
| RING-SNAP,20.5MM (Ref # 92033)          | 92033-1186     | 1        |
| CLAMP (Ref # 92037)                     | 92037-1710     | 2        |
| PIN,8X17 (Ref # 92043)                  | 92043-0104     | 1        |
| RING-O,MASTER CYLINDER (Ref # 92055)    | 92055-1251     | 1        |
| SPRING,MASTER CYLINDER (Ref # 92081)    | 92081-1737     | 1        |
| COLLAR,7.1X9.5X7 (Ref # 92152)          | 92152-0561     | 1        |
| BOLT,OIL,L=23 (Ref # 92153)             | 92153-0627     | 2        |
| BOLT,SOCKET,8X30 (Ref # 92153A)         | 92153-1624     | 2        |
| CLAMP,BRAKE HOSE,P.SILVER (Ref # 92171) | 92171-0712-458 | 1        |
| CLAMP,BRAKE HOSE (Ref # 92171A)         | 92171-1662     | 1        |