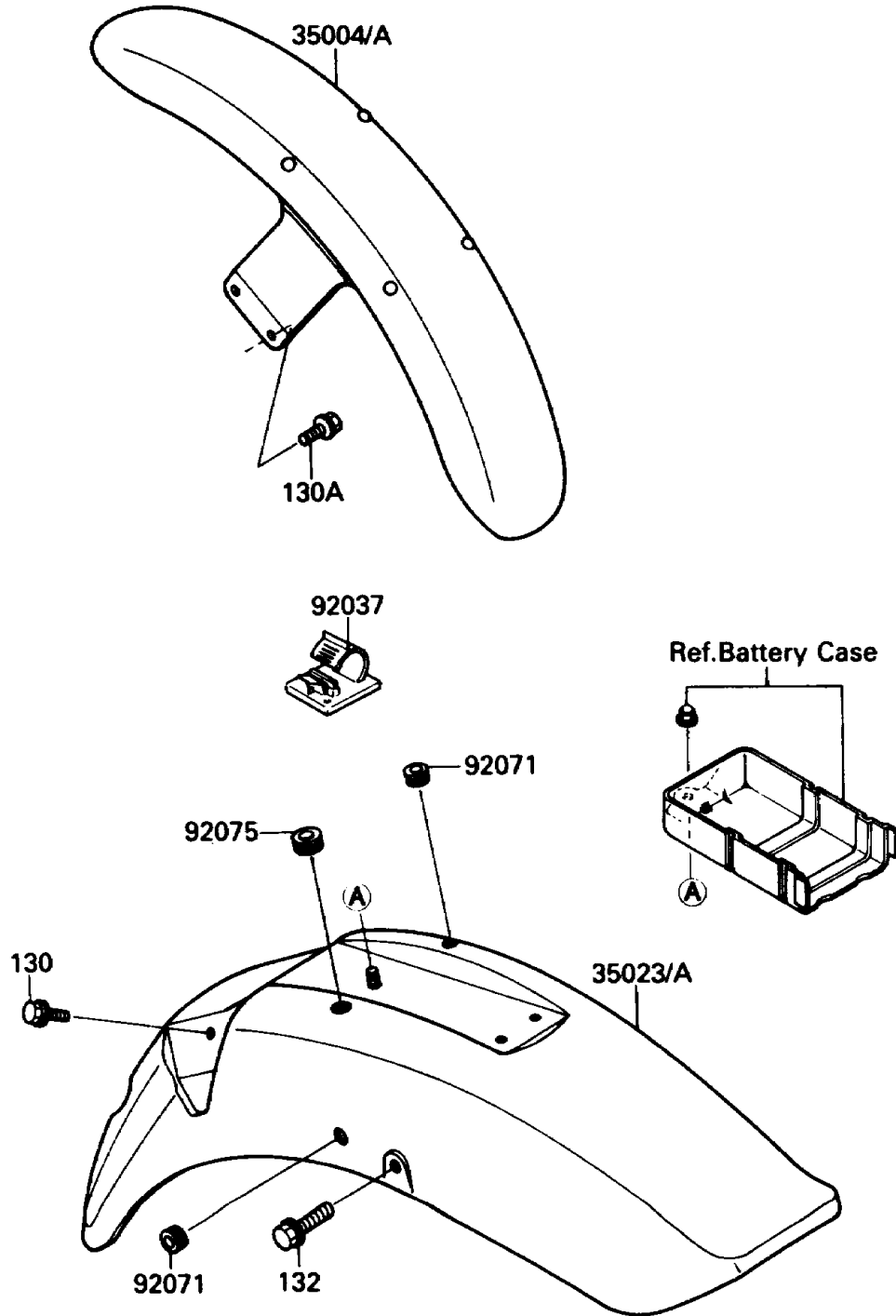


# 1987 Vulcan 88 SE PARTS DIAGRAM

Fenders

F2170-0347



## 1987 Vulcan 88 SE PARTS LIST

### Fenders

ITEM NAME	PART NUMBER	QUANTITY
FENDER-FRONT,M.N.BLUE (Ref # 35004)	35004-1206-C6	1
FENDER-FRONT,L.C.RED (Ref # 35004A)	35004-1206-L2	1
FENDER-REAR,M.N.BLUE (Ref # 35023)	35023-1197-C6	1
FENDER-REAR,L.C.RED (Ref # 35023A)	35023-1197-L2	1
CLAMP,HARNESS (Ref # 92037)	92037-1816	1
GROMMET (Ref # 92071)	92071-1148	3
DAMPER (Ref # 92075)	92075-294	1
BOLT-FLANGED,6X12 (Ref # 130)	130C0612	3
BOLT-FLANGED (Ref # 130A)	130D0814	4
BOLT-FLANGED-SMALL (Ref # 132)	132E0840	2