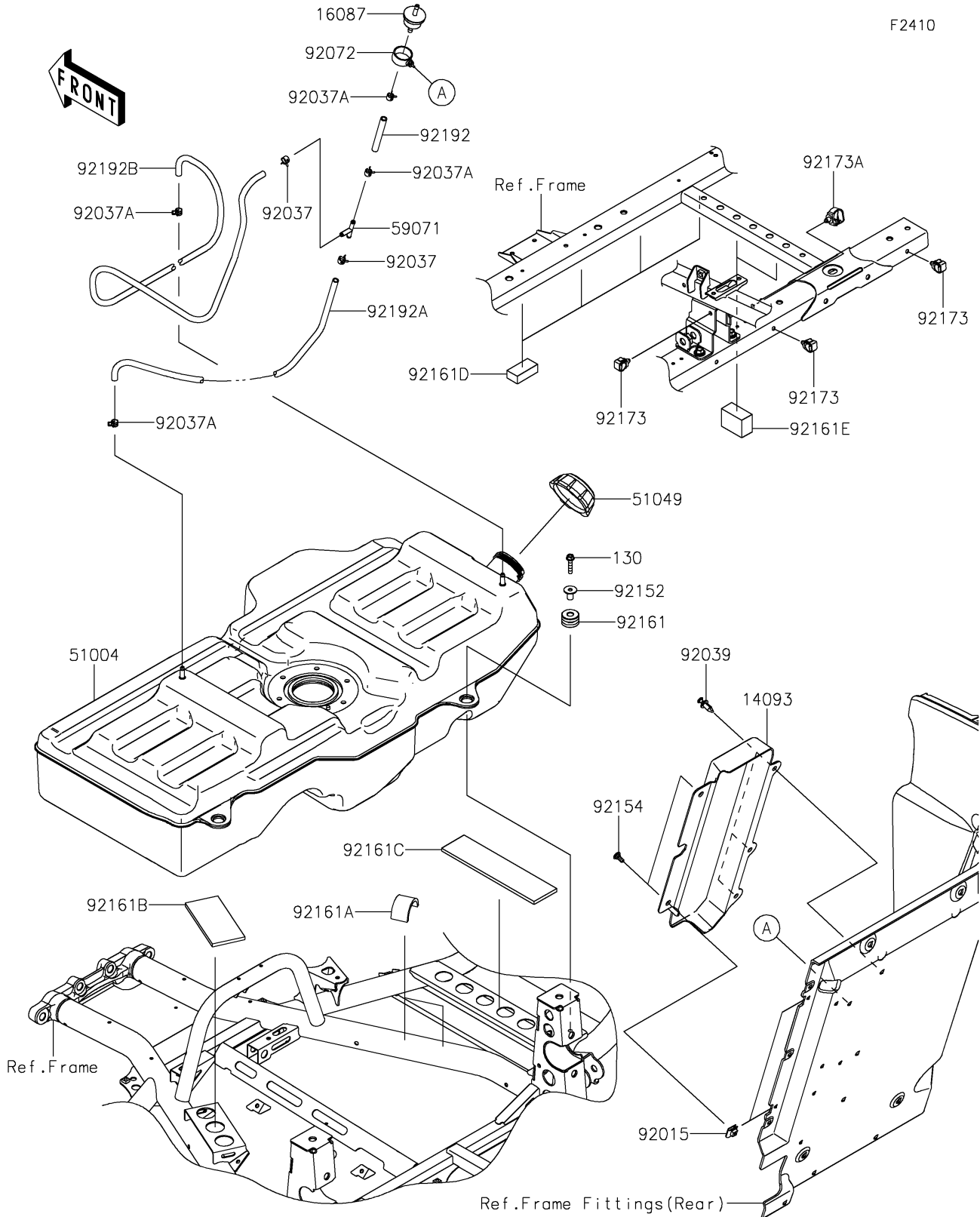


2022 TERYX KRX® 1000 TRAIL EDITION PARTS DIAGRAM

Fuel Tank(CA)

F2410



2022 TERYX KRX® 1000 TRAIL EDITION PARTS LIST

Fuel Tank(CA)

| ITEM NAME | PART NUMBER | QUANTITY |
|---|-------------|----------|
| COVER,BREATHER PIPE (Ref # 14093) | 14093-0987 | 1 |
| VALVE-CHECK (Ref # 16087) | 16087-0011 | 1 |
| TANK-FUEL (Ref # 51004) | 51004-0031 | 1 |
| CAP-TANK,FUEL (Ref # 51049) | 51049-0718 | 1 |
| JOINT (Ref # 59071) | 59071-3705 | 1 |
| NUT,CLAMP,6MM (Ref # 92015) | 92015-1678 | 2 |
| CLAMP,TUBE (Ref # 92037) | 92037-1461 | 2 |
| CLAMP (Ref # 92037A) | 92037-2113 | 4 |
| RIVET (Ref # 92039) | 92039-0776 | 3 |
| BAND (Ref # 92072) | 92072-0852 | 1 |
| COLLAR,6.8X10X18.1 (Ref # 92152) | 92152-1867 | 3 |
| BOLT (Ref # 92154) | 92154-3957 | 2 |
| DAMPER,TANK (Ref # 92161) | 92161-2178 | 3 |
| DAMPER,TANK FRAME PIPE (Ref # 92161A) | 92161-2179 | 2 |
| DAMPER,TANK LH LOWER (Ref # 92161B) | 92161-2180 | 1 |
| DAMPER,TANK LOWER (Ref # 92161C) | 92161-2253 | 1 |
| DAMPER,TANK & SEAT FRAME (Ref # 92161D) | 92161-2275 | 4 |
| DAMPER,TANK & SEAT FRAME (Ref # 92161E) | 92161-2288 | 2 |
| CLAMP,12MM DIA. (Ref # 92173) | 92173-0736 | 3 |
| CLAMP (Ref # 92173A) | 92173-0861 | 1 |
| TUBE,5X10.4X80 (Ref # 92192) | 92192-1149 | 1 |
| TUBE,5X10X1020 (Ref # 92192A) | 92192-2239 | 1 |
| TUBE,5X10X1380 (Ref # 92192B) | 92192-2352 | 1 |
| BOLT-FLANGED,6X30 (Ref # 130) | 130BA0630 | 3 |