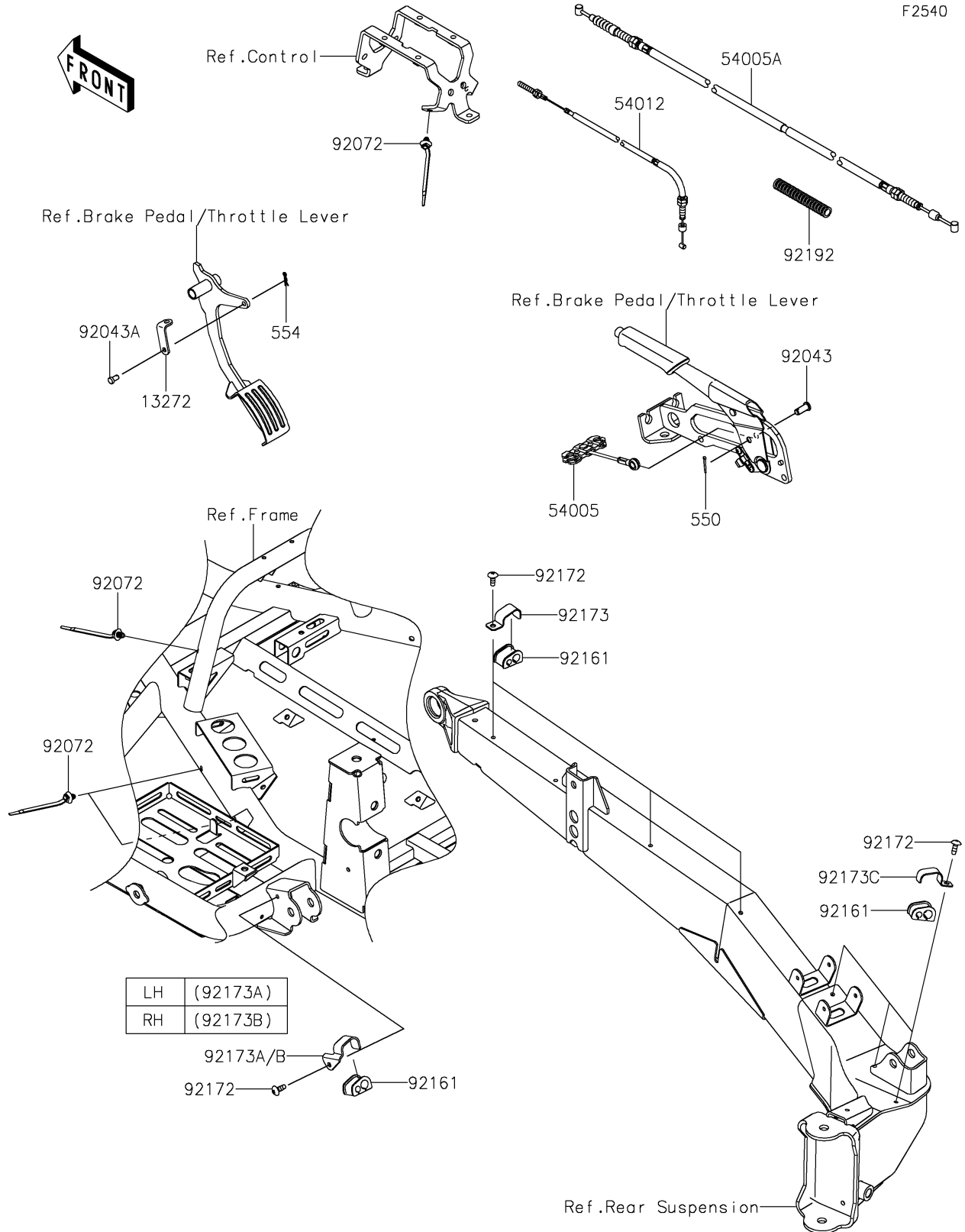


2022 TERYX KRX® 1000 TRAIL EDITION PARTS DIAGRAM

Cables

F2540



2022 TERYX KRX® 1000 TRAIL EDITION PARTS LIST

Cables

ITEM NAME	PART NUMBER	QUANTITY
PLATE (Ref # 13272)	13272-2637	1
CABLE-BRAKE,PARKING BRAKE (Ref # 54005)	54005-0312	1
CABLE-BRAKE,PARKING BRAKE (Ref # 54005A)	54005-0313	2
CABLE-THROTTLE (Ref # 54012)	54012-0680	1
PIN (Ref # 92043)	92043-1039	1
PIN,6X9 (Ref # 92043A)	92043-1626	1
BAND,OS170-FT7(BLACK) (Ref # 92072)	92072-1414	8
DAMPER (Ref # 92161)	92161-2174	14
SCREW,TAPPING,6X16 (Ref # 92172)	92172-0739	14
CLAMP (Ref # 92173)	92173-1991	6
CLAMP,LH (Ref # 92173A)	92173-1992	1
CLAMP,RH (Ref # 92173B)	92173-1993	1
CLAMP (Ref # 92173C)	92173-2097	6
TUBE,CORRUGATED,L=100 (Ref # 92192)	92192-3809	1
PIN-COTTER,2.5X18 (Ref # 550)	550AA2518	1
PIN-SNAP,1.2X21.2 (Ref # 554)	554DA0600	1