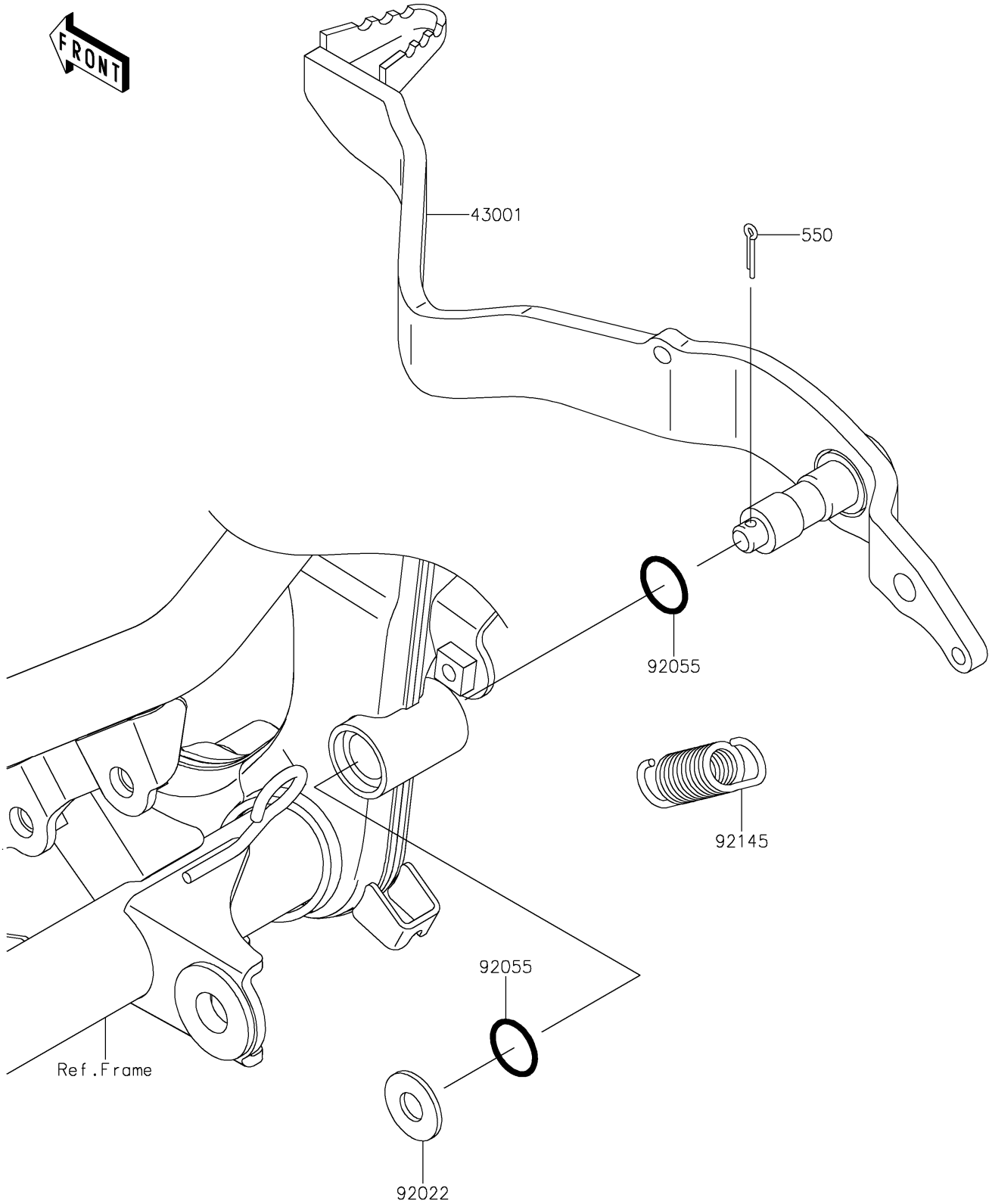


2019 KLX®150L PARTS DIAGRAM

Brake Pedal

F2260



2019 KLX®150L PARTS LIST

Brake Pedal

ITEM NAME	PART NUMBER	QUANTITY
-----------	-------------	----------