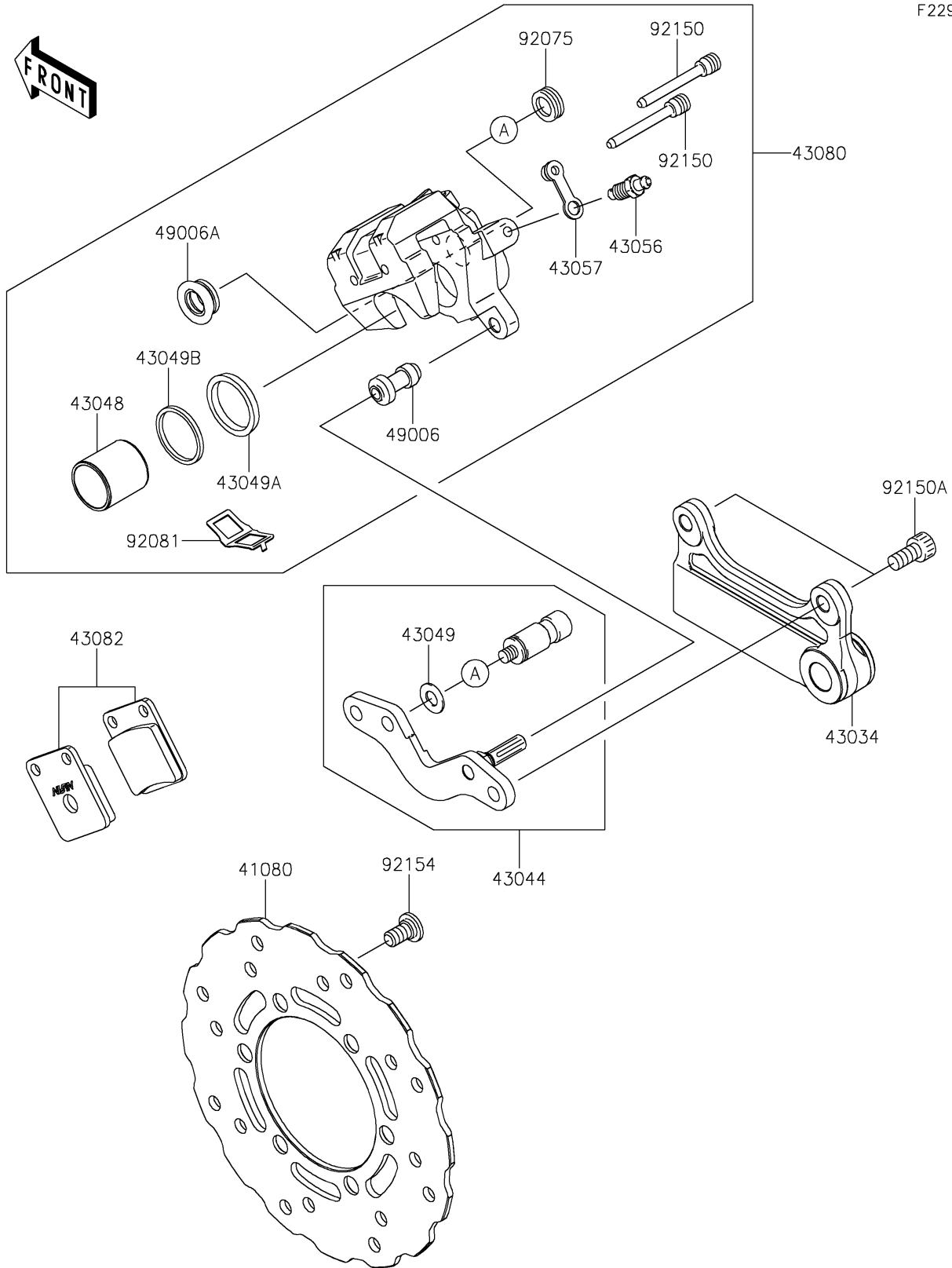


2019 KLX®150L PARTS DIAGRAM

Rear Brake

F2294



2019 KLX®150L PARTS LIST

Rear Brake

ITEM NAME	PART NUMBER	QUANTITY
-----------	-------------	----------