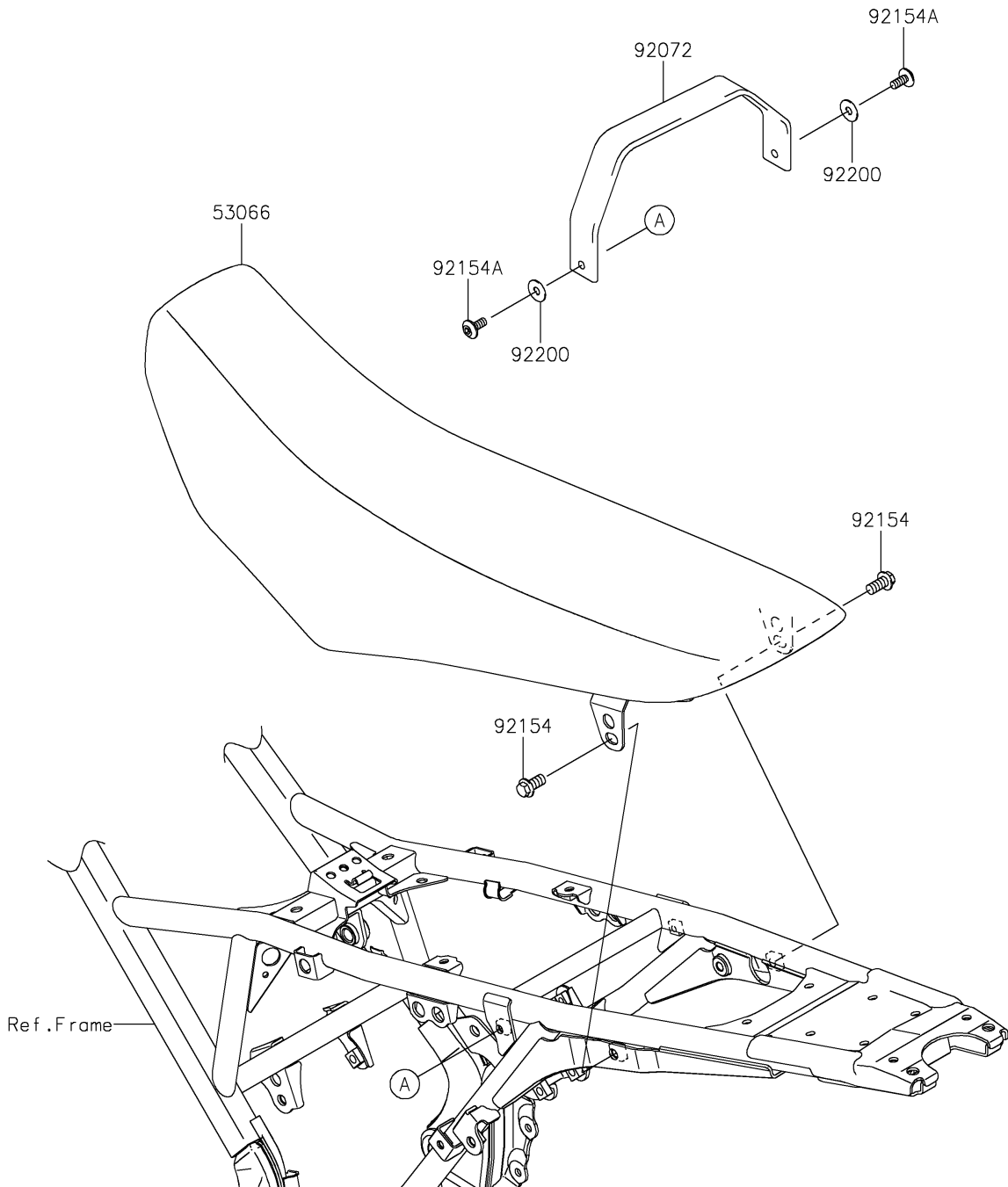


2019 KLX®150L PARTS DIAGRAM

Seat

F2510



2019 KLX®150L PARTS LIST

Seat

ITEM NAME	PART NUMBER	QUANTITY
SEAT-ASSY,GRAY/BLACK/WHITE (Ref # 53066)	53066-0477-55E	1
BAND,BLACK (Ref # 92072)	92072-0772-MA	1
BOLT,FLANGED,8X16 (Ref # 92154)	92154-0462	2
BOLT,SOCKET,6X14 (Ref # 92154A)	92154-1208	2
WASHER,6.5X18X1 (Ref # 92200)	92200-0544	2