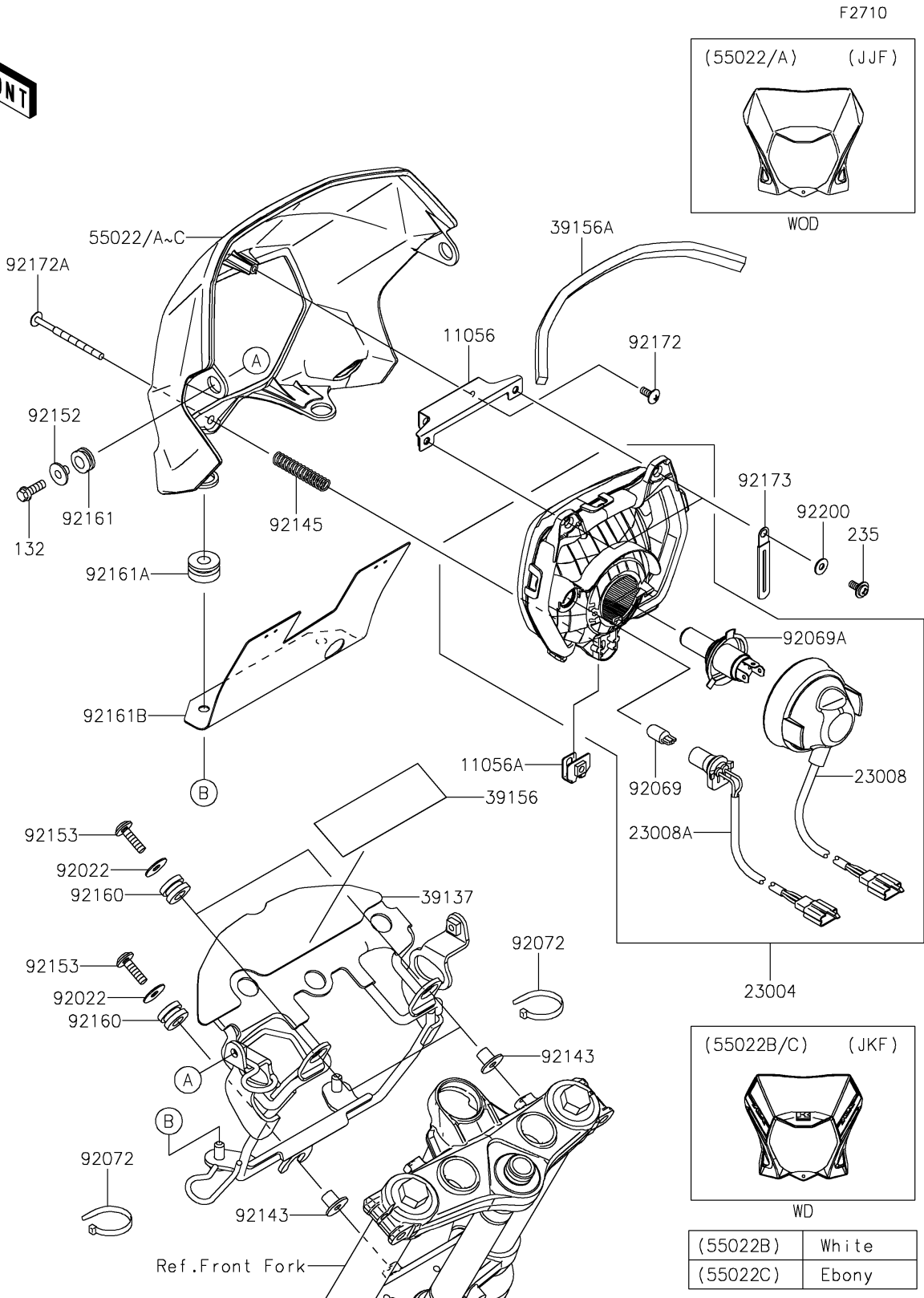


2019 KLX®150L PARTS DIAGRAM

Headlight(s)



2019 KLX®150L PARTS LIST

Headlight(s)

ITEM NAME	PART NUMBER	QUANTITY
BRACKET (Ref # 11056)	11056-7216	1
BRACKET (Ref # 11056A)	11056-7968	1
LAMP-HEAD (Ref # 23004)	23004-0357	1
SOCKET-ASSY,HEAD LAMP (Ref # 23008)	23008-0173	1
SOCKET-ASSY,POSITION LAMP (Ref # 23008A)	23008-0174	1
STAY-COMP,HEAD LAMP (Ref # 39137)	39137-0674	1
PAD,35X110 (Ref # 39156)	39156-1764	1
PAD,10X260X7 (Ref # 39156A)	39156-1857	1
COVER-HEAD LAMP,B.WHITE (Ref # 55022B)	55022-5344-266	1
COVER-HEAD LAMP,EBONY (Ref # 55022C)	55022-5352-6C	1
WASHER,PLAIN,6.5X20X1 (Ref # 92022)	92022-165	3
BULB,12V 5W (Ref # 92069)	92069-0059	1
BULB,12V35/35W (Ref # 92069A)	92069-0086	1
BAND,L=220 (Ref # 92072)	92072-0044	2
COLLAR (Ref # 92143)	92143-1353	3
SPRING (Ref # 92145)	92145-1645	1
COLLAR (Ref # 92152)	92152-0295	2
BOLT,SOCKET,6X22 (Ref # 92153)	92153-0574	3
DAMPER,10X20X12 (Ref # 92160)	92160-1167	3
DAMPER,10X18X7.5 (Ref # 92161)	92161-1535	2
DAMPER,7.5X22X11 (Ref # 92161A)	92161-1536	2
DAMPER (Ref # 92161B)	92161-1821	1
SCREW,TAPPING,5X10 (Ref # 92172)	92172-0262	2
SCREW,5X70 (Ref # 92172A)	92172-0909	1
CLAMP (Ref # 92173)	92173-1424	2
WASHER,5.2X13X1 (Ref # 92200)	92200-1694	2
BOLT-FLANGED-SMALL,6X18 (Ref # 132)	132BC0618	2
SCREW-PAN-WP-CROS,5X12 (Ref # 235)	235AA0512	2