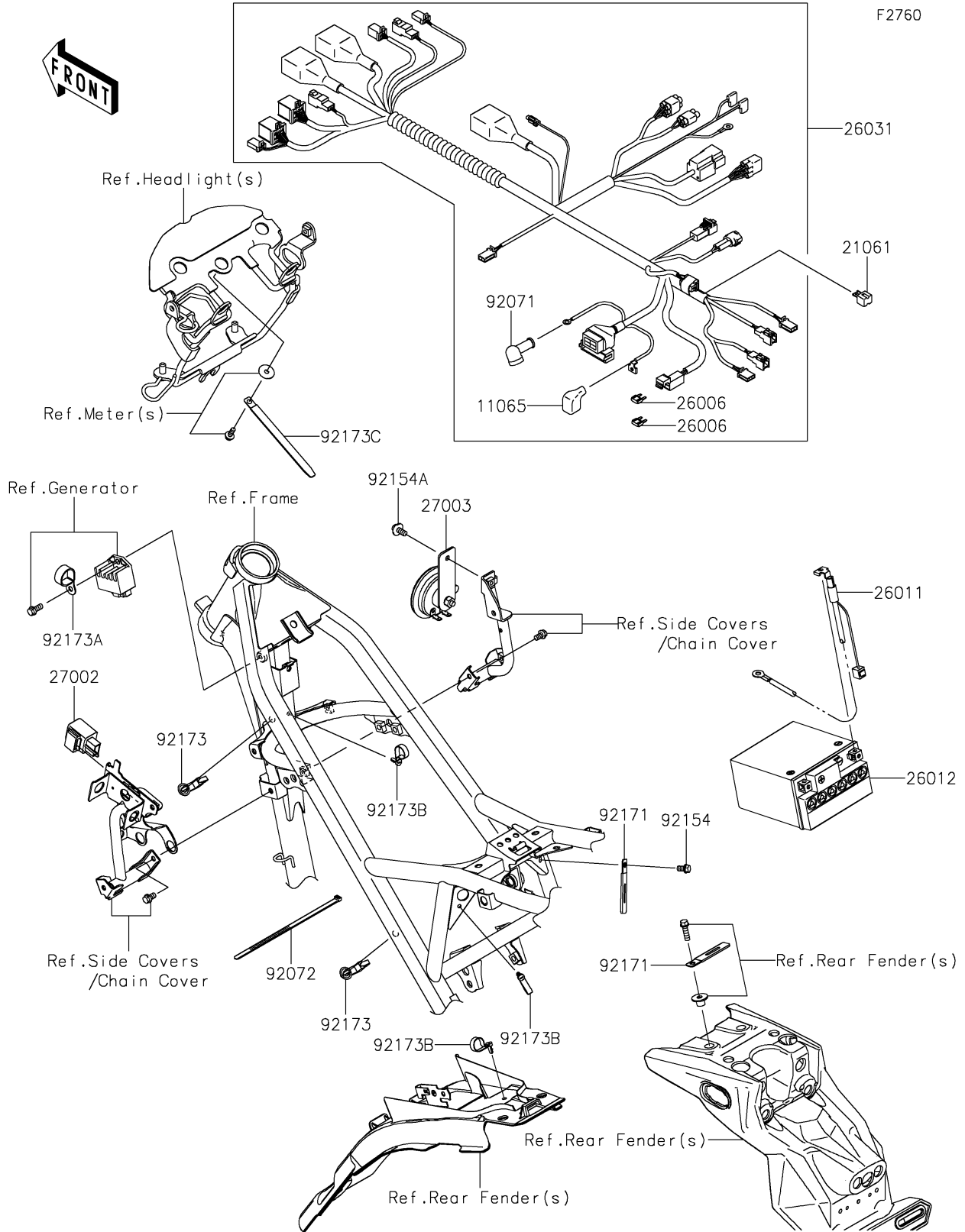


2019 KLX®150L PARTS DIAGRAM

Chassis Electrical Equipment



2019 KLX®150L PARTS LIST

Chassis Electrical Equipment

ITEM NAME	PART NUMBER	QUANTITY
-----------	-------------	----------