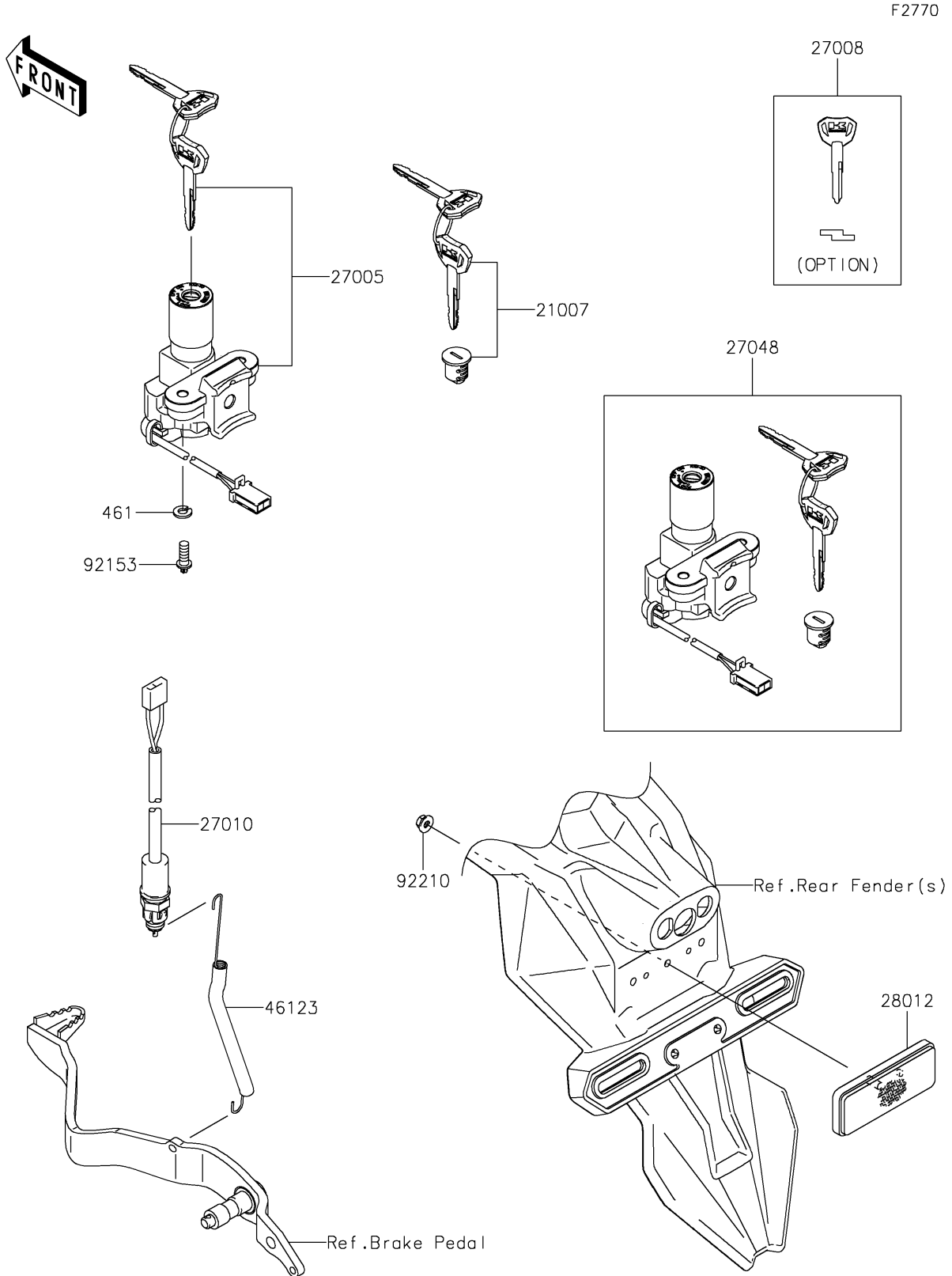


# 2019 KLX®150L PARTS DIAGRAM

## Ignition Switch



## 2019 KLX®150L PARTS LIST

### Ignition Switch

ITEM NAME	PART NUMBER	QUANTITY
ROTOR,LOCK,TANK CAP (Ref # 21007)	21007-5075	1
SWITCH-ASSY-IGNITION (Ref # 27005)	27005-0614	1
KEY-LOCK,BLANK (Ref # 27008)	27008-0559	1
SWITCH,REAR BRAKE (Ref # 27010)	27010-0106	1
SWITCH-ASSY (Ref # 27048)	27048-5085	1
REFLECTOR-REFLEX (Ref # 28012)	28012-1077	1
SPRING-COMP (Ref # 46123)	46123-0007	1
BOLT,TORX,6X16 (Ref # 92153)	92153-0967	2
NUT,FLANGED,5MM (Ref # 92210)	92210-1607	1
WASHER-SPRING,6MM (Ref # 461)	461DA0600	2