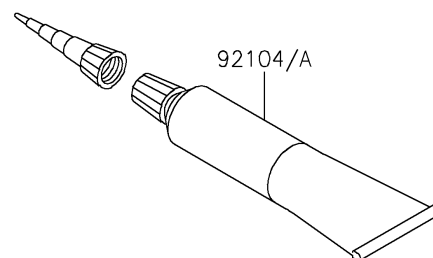
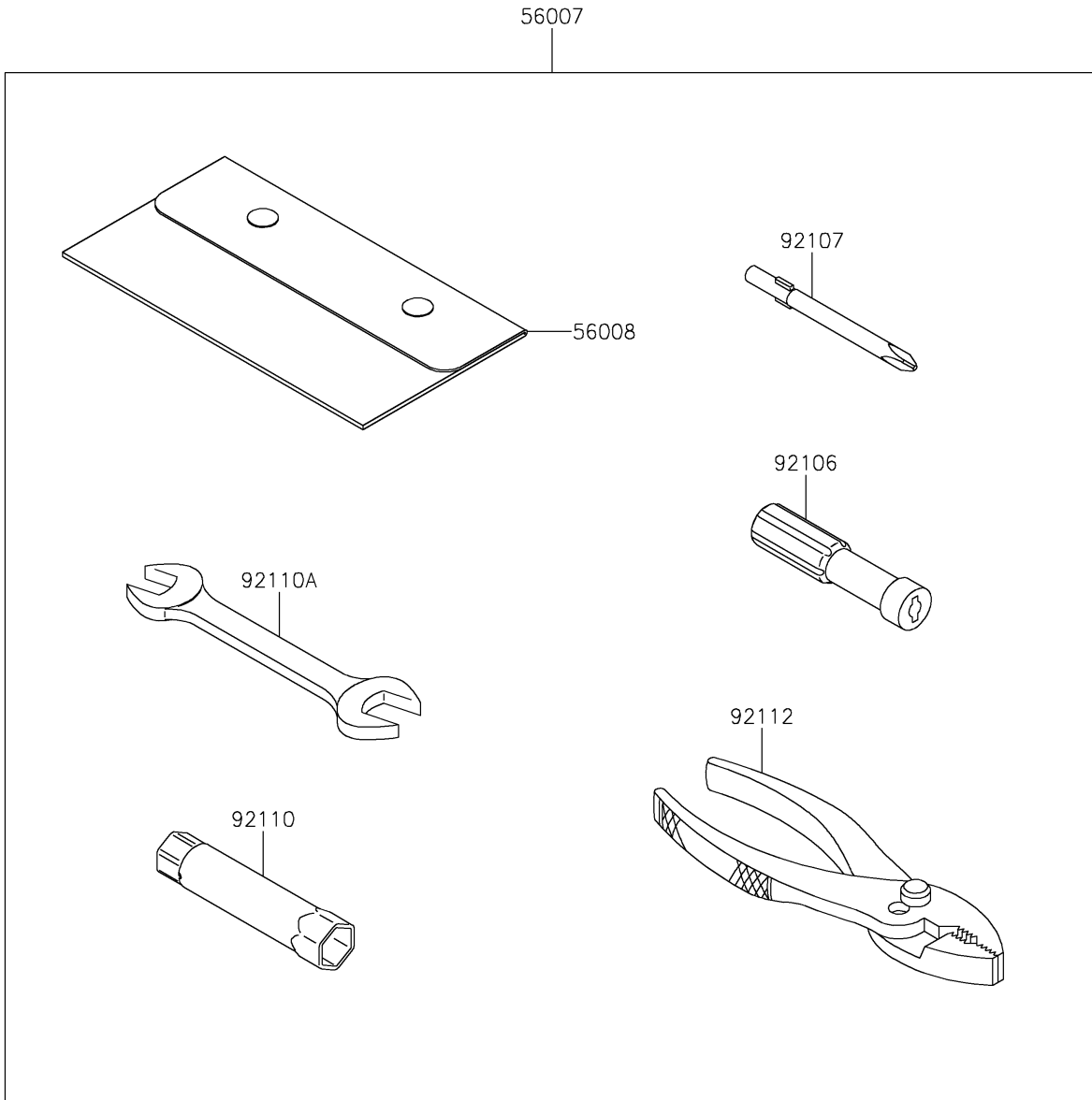


2019 KLX[®]150L PARTS DIAGRAM

Owner's Tools

F2810



2019 KLX®150L PARTS LIST

Owner's Tools

ITEM NAME	PART NUMBER	QUANTITY
-----------	-------------	----------