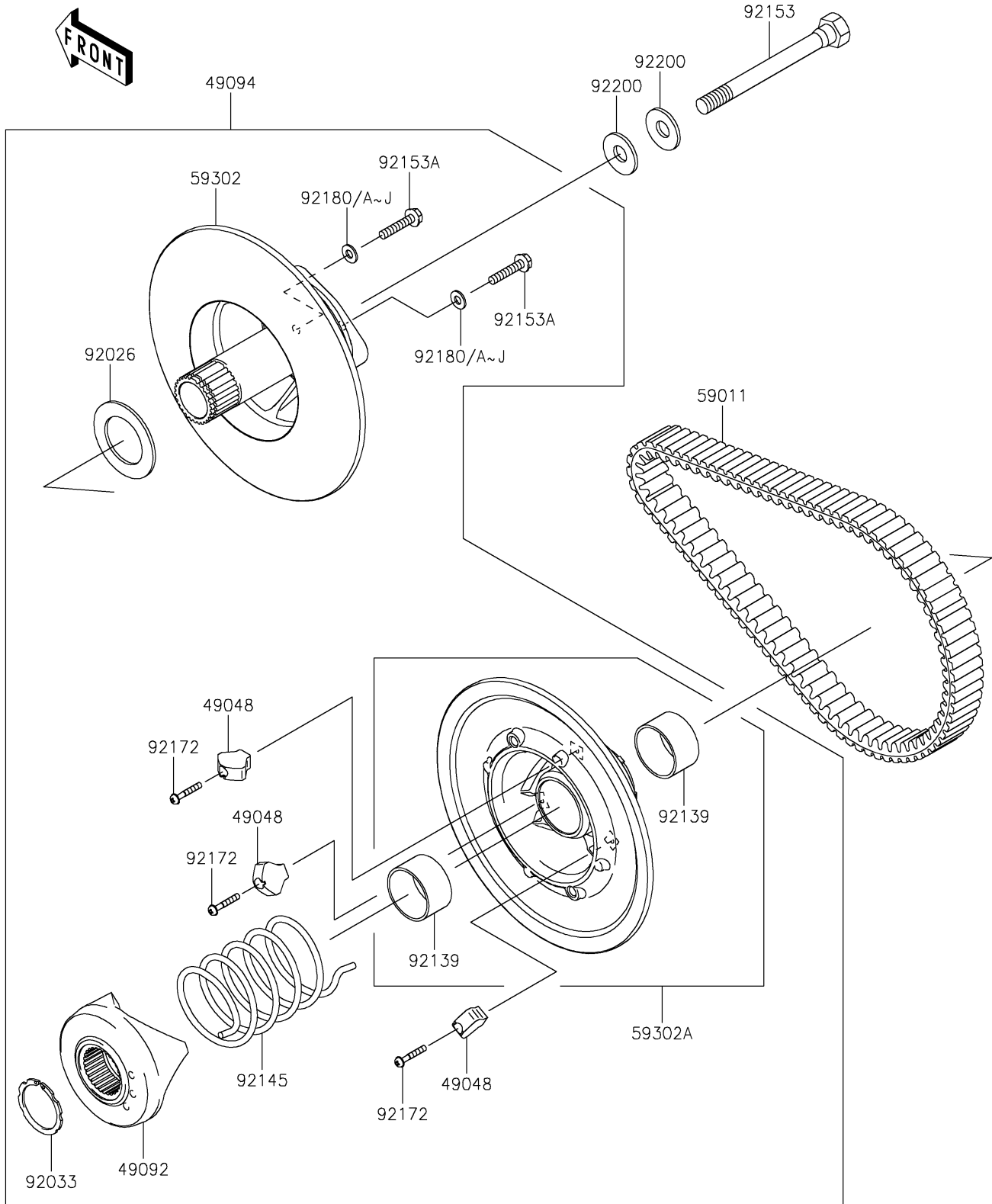


# 2022 MULE SX™ PARTS DIAGRAM

Driven Converter/Drive Belt

E1392



# 2022 MULE SX™ PARTS LIST

Driven Converter/Drive Belt

ITEM NAME	PART NUMBER	QUANTITY
-----------	-------------	----------