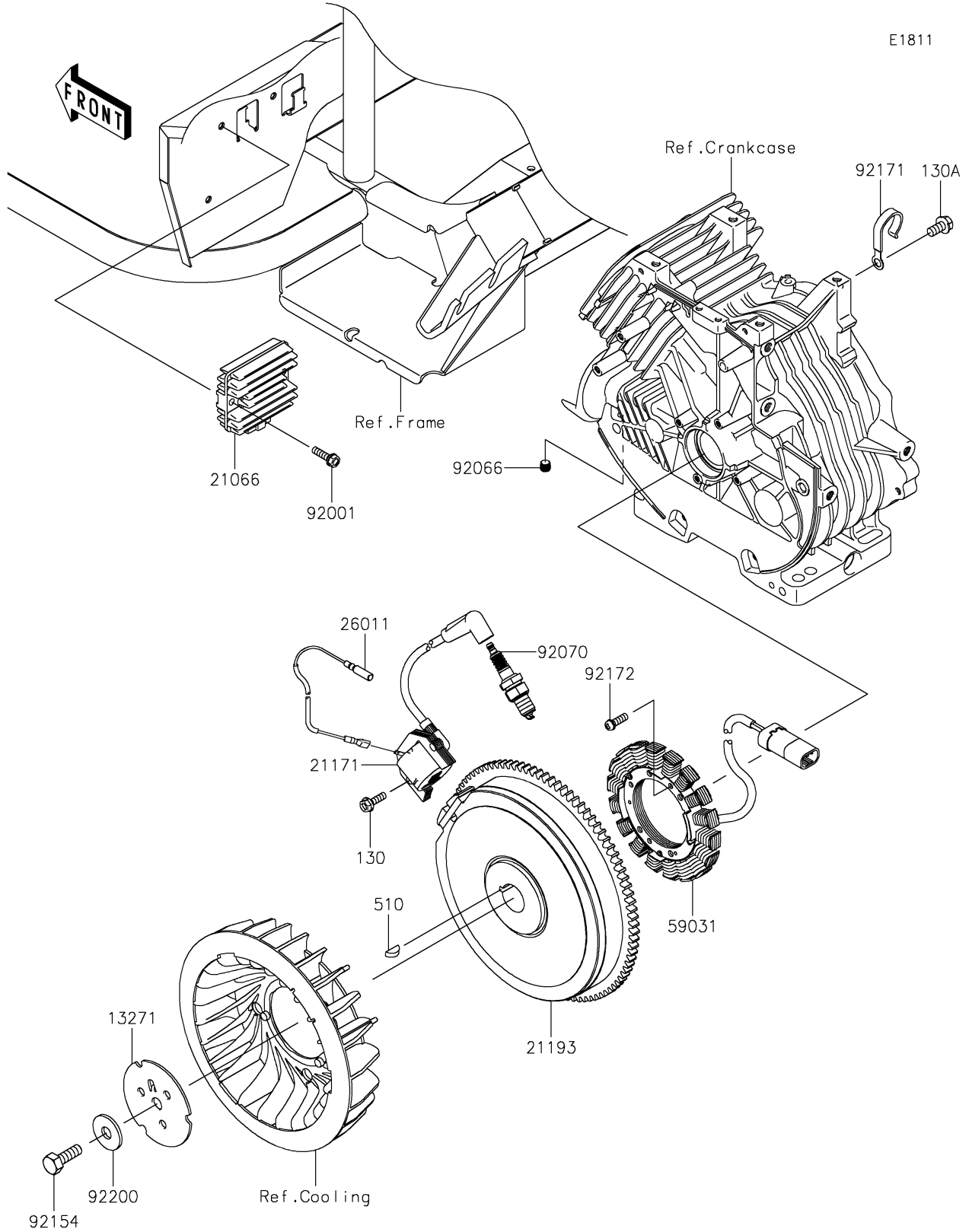


# 2021 MULE SX™ PARTS DIAGRAM

## Generator/Ignition Coil



## 2021 MULE SX™ PARTS LIST

### Generator/Ignition Coil

| ITEM NAME                                  | PART NUMBER | QUANTITY |
|--|-------------|----------|
| PLATE,FAN (Ref # 13271)                    | 13271-7029  | 1        |
| REGULATOR-VOLTAGE (Ref # 21066)            | 21066-0039  | 1        |
| COIL-ASSY-IGNITION (Ref # 21171)           | 21171-7035  | 1        |
| FLYWHEEL-ASSY (Ref # 21193)                | 21193-0041  | 1        |
| WIRE-LEAD (Ref # 26011)                    | 26011-7014  | 1        |
| COIL-CHARGING (Ref # 59031)                | 59031-2132  | 1        |
| BOLT,FLANGED,6X22 (Ref # 92001)            | 92001-1352  | 2        |
| PLUG (Ref # 92066)                         | 92066-0881  | 1        |
| PLUG-SPARK,BPR5ES(NGK),SOLID (Ref # 92070) | 92070-2088  | 1        |
| BOLT,12X30 (Ref # 92154)                   | 92154-7003  | 1        |
| CLAMP (Ref # 92171)                        | 92171-7005  | 1        |
| SCREW,5X20 (Ref # 92172)                   | 92172-7018  | 4        |
| WASHER (Ref # 92200)                       | 92200-7002  | 1        |
| BOLT-FLANGED,6X20 (Ref # 130)              | 130BA0620   | 2        |
| BOLT-FLANGED,8X16 (Ref # 130A)             | 130BA0816   | 1        |
| KEY-WOODRUFF (Ref # 510)                   | 510A5100    | 1        |