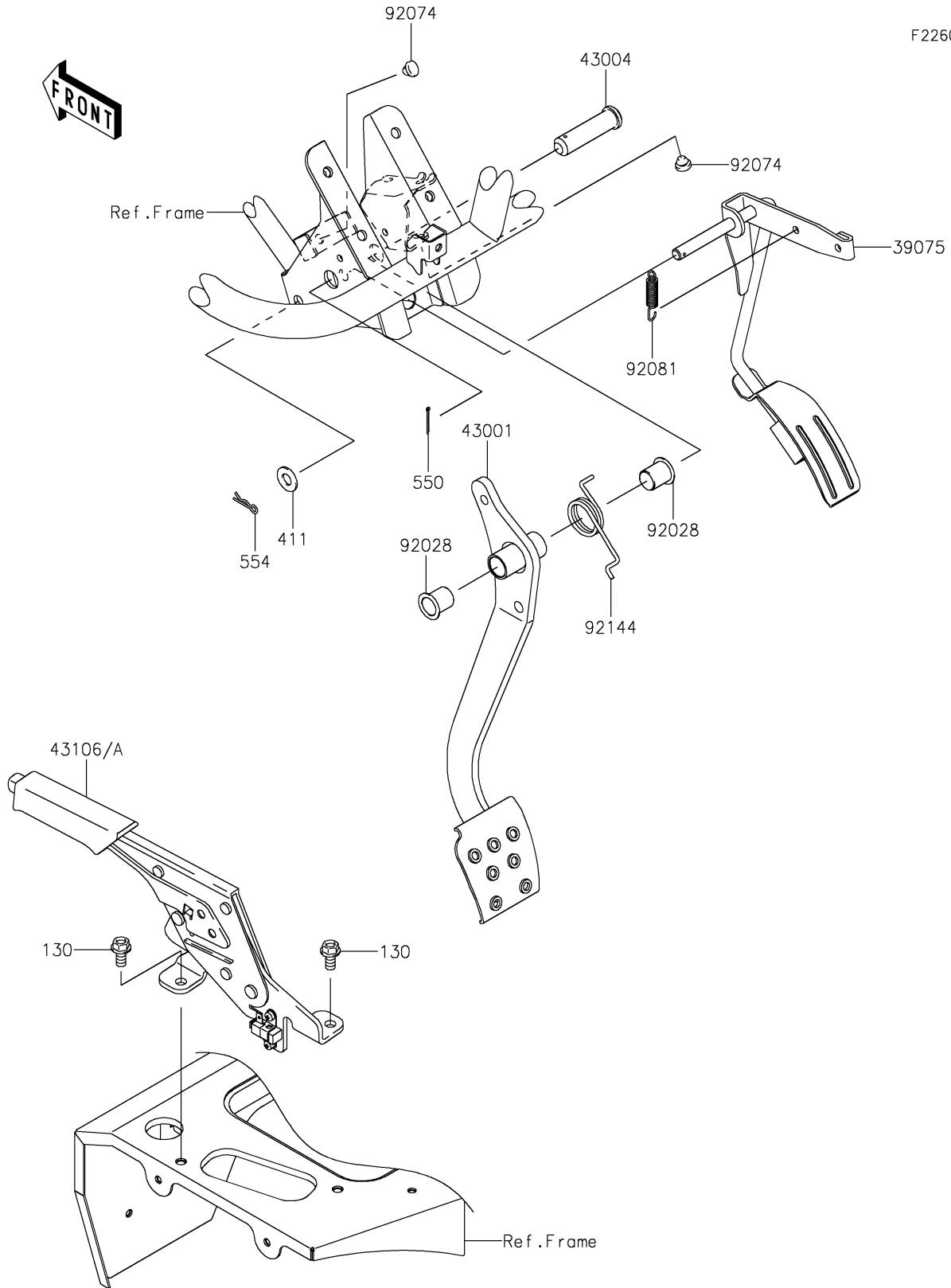


# 2021 MULE SX™ PARTS DIAGRAM

## Brake Pedal/Throttle Lever

F2260



# 2021 MULE SX™ PARTS LIST

Brake Pedal/Throttle Lever

ITEM NAME	PART NUMBER	QUANTITY
-----------	-------------	----------