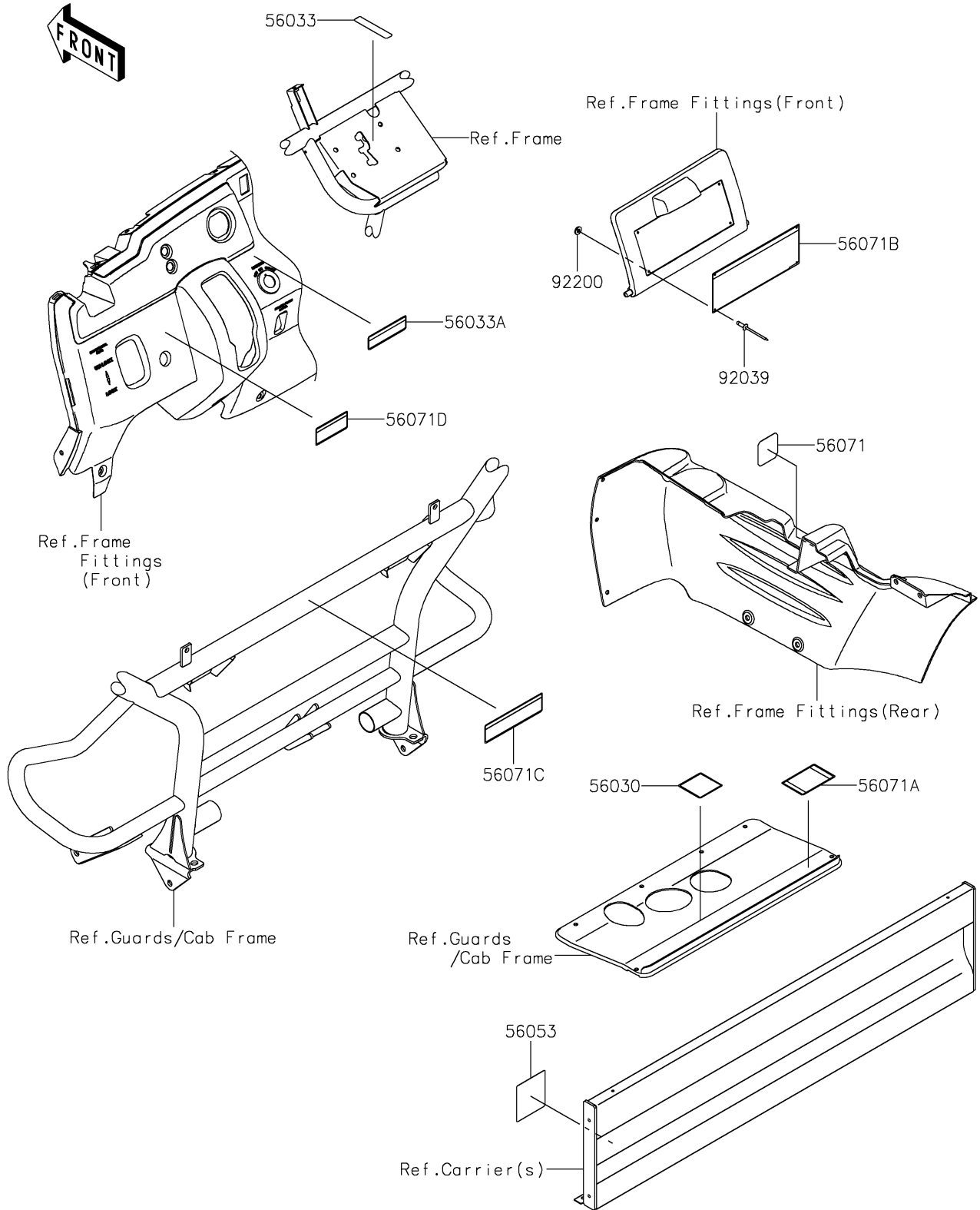


# 2022 MULE SX™ PARTS DIAGRAM

Labels

F2860



# 2022 MULE SX™ PARTS LIST

Labels

ITEM NAME	PART NUMBER	QUANTITY
-----------	-------------	----------