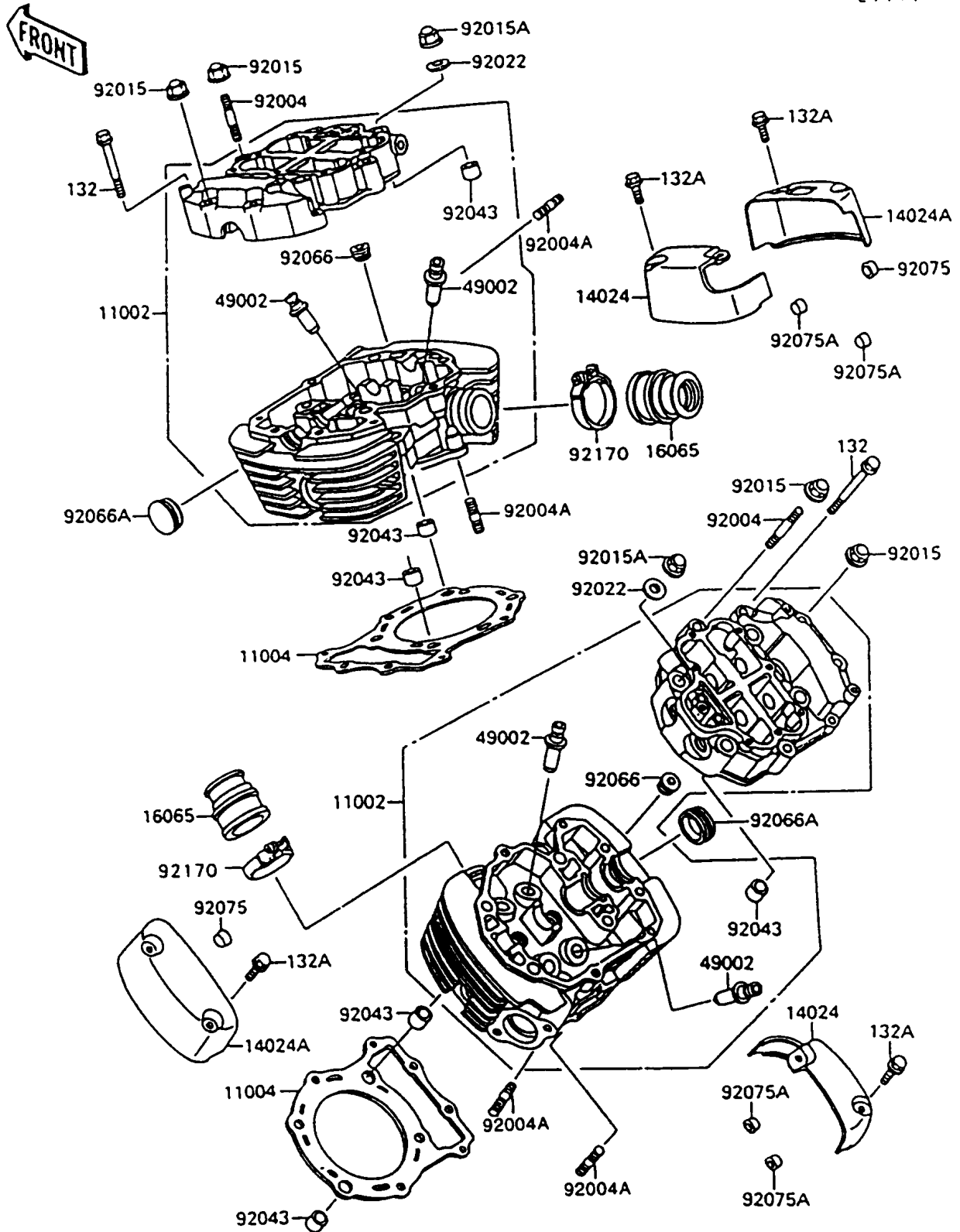


# 1997 Vulcan 1500 L PARTS DIAGRAM

Cylinder Head

E1111



# 1997 Vulcan 1500 L PARTS LIST

## Cylinder Head

ITEM NAME	PART NUMBER	QUANTITY
BOLT-FLANGED-SMALL (Ref # 132)	132E06115	4
BOLT-FLANGED-SMALL (Ref # 132A)	132E0612	8
HEAD-ASSY-CYLINDER (Ref # 11002)	11002-1229	2
GASKET-HEAD (Ref # 11004)	11004-1317	2
COVER,ROCKER (Ref # 14024)	14024-1570	2
COVER,ROCKER (Ref # 14024A)	14024-1617	2
HOLDER-CARBURETOR (Ref # 16065)	16065-1153	2
GUIDE-VALVE (Ref # 49002)	49002-1088	AR
STUD,8X51.5 (Ref # 92004)	92004-1173	4
STUD,8X25 (Ref # 92004A)	92004-1214	8
NUT,CAP,8MM (Ref # 92015)	92015-1371	8
NUT,CAP,12MM (Ref # 92015A)	92015-1648	8
WASHER,12.3X25X3.2 (Ref # 92022)	92022-1862	8
PIN,DOWEL,13X16X14 (Ref # 92043)	92043-1349	8
PLUG (Ref # 92066)	92066-1253	4
PLUG (Ref # 92066A)	92066-1289	2
DAMPER (Ref # 92075)	92075-1995	2
DAMPER (Ref # 92075A)	92075-1996	4
CLAMP (Ref # 92170)	92170-1448	2